

TCL

Models

TWC-15CR/UH (ES)

TWC-18CR2/UH (ES)

TWC-22CR2/UH (ES)

TWC-24CR2/UH (ES)

Electronic Window Air Conditioner

Operating Instructions



INTRODUCTION

IMPORTANT SAFETY INSTRUCTION	1
ELECTRICAL REQUIREMENTS	2
PACKING LIST	3
INSTALLATION & ASSEMBLY INSTRUCTIONS	4
USING YOUR AIR CONDITIONER	13
OPERATING YOUR AIR CONDITIONER	15
CARE AND CLEANING	16
TROUBLESHOOTING	17

IMPORTANT SAFETY INSTRUCTIONS

Before installing and using your air conditioner, please read this owner's manual carefully. Store this manual in a safe place for future reference. Your safety and the safety of others is very important to us. Please pay attention to all safety messages outlined in this owner's manual.

WARNING: To reduce the risk of fire, electrical shock or injury when using your air conditioner, follow the following basic precautions:

- | | |
|---|--|
| <ul style="list-style-type: none">• Plug into a grounded 3 prong outlet.• Do not remove the ground prong.• Do not use a plug adapter. | <ul style="list-style-type: none">• Do not use an extension cord.• Unplug the air conditioner before servicing• Use two or more people to move and install the air conditioner |
|---|--|



This is a safety alert symbol.

This symbol alerts you to potential hazards that can harm you or others or even cause death.

All safety messages will directly follow the safety alert symbol and/or the words "DANGER" or "WARNING".

⚠ DANGER

⚠ WARNING

Failure to immediately follow these instructions may cause serious injury or even death.

All Safety messages alert you of potential hazards, how to reduce the chance of injury, and what can happen if instructions are not followed correctly.

ELECTRICAL REQUIREMENTS

⚠ WARNING



Electrical Shock Hazard

Plug into a grounded 3 prong outlet.
Do not remove the ground prong.
Do not use an adapter
Do not use an extension cord.
Failure to follow these instructions can result in death, fire, or electrical shock

The electrical ratings for your air conditioner are listed on the model and serial number label located on the front left side of the unit (when facing the front).

Specific electrical requirements are listed in the chart below. Follow the requirements below for the type of plug on the power supply cord.

Power Supply Cord

15K



18K/22K/24K



Recommended Ground Method

For your personal safety, this air conditioner must be grounded. This air conditioner is equipped with a 3 prong power supply cord with a grounded plug. To minimize the possibility of electrical shock, the cord must be plugged into a 3 prong outlet and grounded in accordance with all local codes and ordinances. If a 3 prong outlet is not available, it is the customer's responsibility to have a properly grounded 3 prong outlet installed by a qualified electrician.

It is the customer's responsibility:

- To contact a qualified electrician
- To assure that the electrical installation is adequate and in conformance with the National Electrical Code, ANSI/NFPA 70 - latest edition, and all local codes and ordinances.

Copies of the standards listed may be obtained from:

National Fire Protection Association
One Batterymarch Park
Quincy, Massachusetts 02269

LCDI Power Cord and Plug

This air conditioner is equipped with an LCDI (Leakage Current Detection and Interruption) power cord that is required by UL. This power supply cord contains state-of-the-art electronics that sense leakage current. If the cord is damaged and leakage occurs, power will be disconnected from the unit.

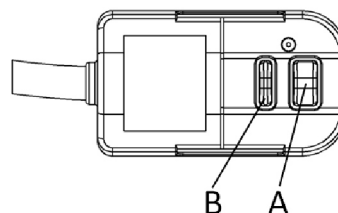
The test and reset buttons on the LCDI Plug are used to check if the plug is functioning properly. To test the plug:

1. Plug power cord into a grounded 3 prong outlet
2. Press RESET (on some units a green light will turn on).
3. Press the TEST Button, the circuit should trip and cut all power to the air conditioner (on some units a green light may turn off).
4. Press the RESET button for use. You will hear a click and the A/C is ready for use.

NOTES:

- The RESET button must be engaged for proper use.
- The power supply cord must be replaced if it fails to trip when the TEST button is pressed and the unit fails to reset.
- Do not use the power supply cord as an ON/OFF switch. The power supply cord is designed as a protection device.
- A damaged power supply cord must be replaced with a new power supply cord.
- The power supply cord contains new user serviceable parts. Opening the tamper-resistant case voids all warranty and performance claims.


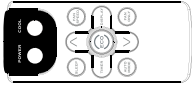
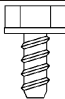

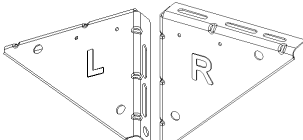
NOTE: Your unit's power cord and plug may differ from the one shown.



A. Reset button

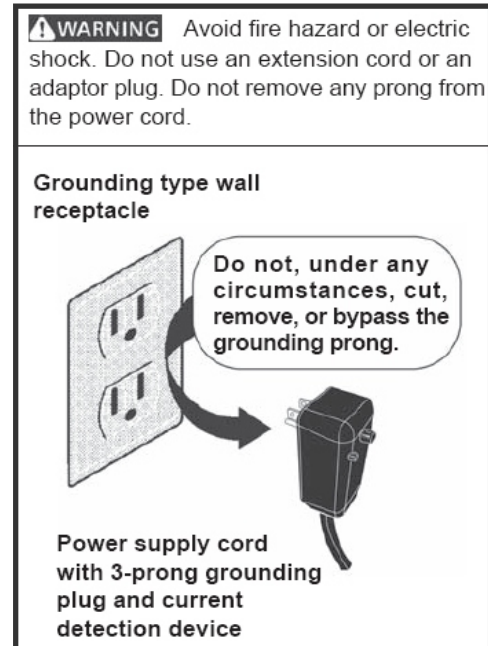
B. Test button

PACKING LIST

IMAGE	PART	QUANTITY
	Window Air Conditioner	1
	Remote Control	1
	Top Mounting Rail (With sponge)	1
	Filler Panels (With "Left" & "Right" remark on the front face)	2
	Sash Lock(Two holes)	1
	Window Sash Seal (Sponge)	1
	5/16" Long Hex-head Screw	10
	5/8" Long Hex-head Screw	4
	1/2" Long Hex-head Screw	2
	5/8" Long Flat Head Bolt and Locknut	2ea
	Sill Angel Bracket	2
	1/2" Long Flat Head Bolt and Locknut	4ea
	Gasket	2
	Foam Top Window Gasket (Thin sponge for back-up using)	1
	Insulation strip(Sponge)	2
	Support Bracket(with R and L remark)	2

DISCLAIMER

ALL INFORMATION AND THE TECHNICAL SPECIFICATIONS PRESENTED IN THIS USER'S MANUAL ARE THE PRESENTATION OF THE MANUFACTURER.



INSTALLATION & ASSEMBLY INSTRUCTIONS

Window Preparation

Please read all instructions prior to installing your air conditioner. Two people are recommended to install this product. If a new electrical outlet is required, have the outlet installed by a qualified electrician before installing the unit.

Before installing the unit, check the dimensions of your window to make sure the air conditioner will fit. This unit is made to fit inside a standard double-hung window. Make sure the window is in good shape and able to firmly hold the needed screws. If not, make repairs prior to installing the unit.

Model	15K/18K	22K/24K
Unit Height(inches)	17.91	18.625
Unit Width(inches)	23.625	26.50
Min. Window Opening (See FIG 1)(inches)	19.00	19.50
Min. Window Width (inches)	28.00	30.00
Max Window Width(inches)	41.00	41.00

Storm Window Requirements

A storm window frame will not allow the air conditioner to tilt properly which in turn will keep it from draining properly. To adjust for this, attach a board or piece of wood to the sill. The board or wood piece should have a depth of at least 1/2". Make sure the board or piece of wood is approximately 1/2" higher than the storm window frame. This will allow the air conditioner to tilt enough for proper drainage. (15K/18K See FIG.1/FIG.2 ; 22K/24K See FIG.3/FIG.4).

FIG.1

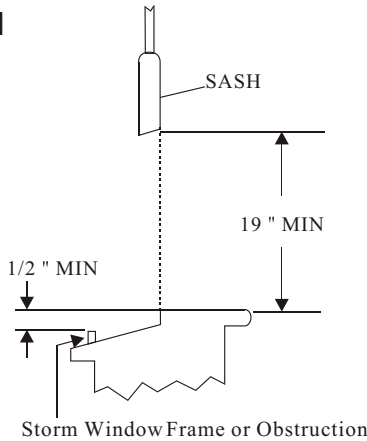
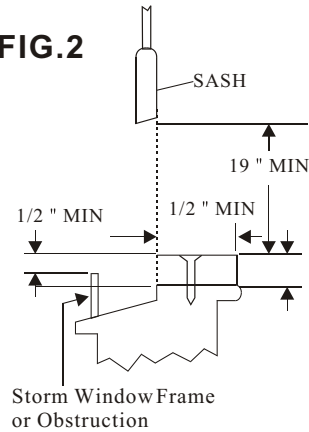


FIG.2



Board or wood piece must be approximately 1/2" higher than the storm window frame for proper drainage

FIG.3

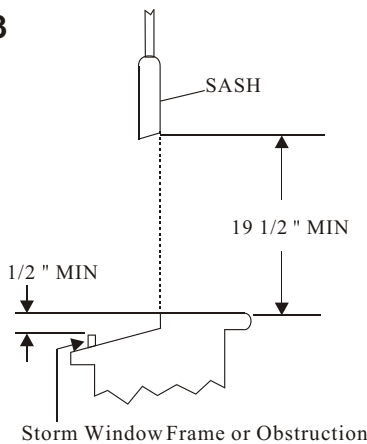
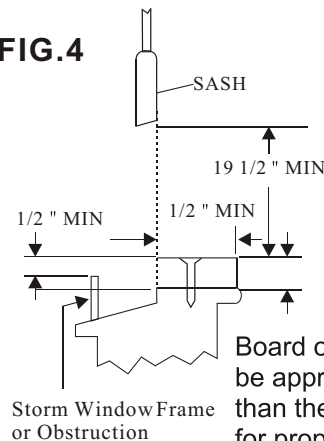


FIG.4



Board or wood piece must be approximately 1/2" higher than the storm window frame for proper drainage

Prior to Installing the Air Conditioner

1. Check for anything that could block airflow. Check the area outside of the window for things such as shrubs, trees, or awnings. Check the inside area to make sure curtains, drapes, or blinds will not prevent proper airflow.
2. Check the available electrical outlet. The power supply must be the same as shown on the unit serial nameplate (located on the left side of the unit, near the front faceplate). Be sure the outlet is close enough for the power cord to reach.
3. Carefully unpack the air conditioner. Remove all packing material and make sure the floor is protected when removing. Due to the large size of this air conditioner, two people should move the unit together.

CAUTION

When handling the unit, be careful to avoid cuts from the sharp metal edges and aluminum fins on the front and rear coils.

INSTALLATION & ASSEMBLY INSTRUCTIONS - WINDOW MOUNTING

REMOVE CHASSIS

1. Pull down the front panel and remove the filter (FIG.5 below)
2. Lift the front panel upwards to remove and place to the side.
3. Locate the four faceplate screws and remove. These screws will need to be re-installed prior to mounting the air conditioner (FIG.6 above)



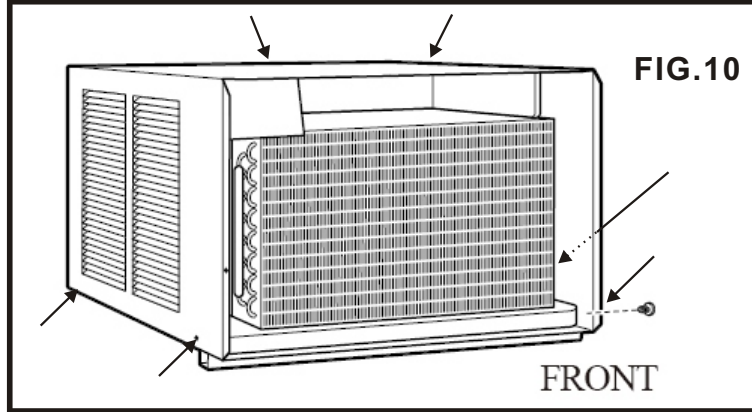
4. After removing the screws, gently pull away the faceplate from the air conditioner cabinet (FIG.7 & 8).
5. Remove the one control panel screw from the front panel (FIG.9).



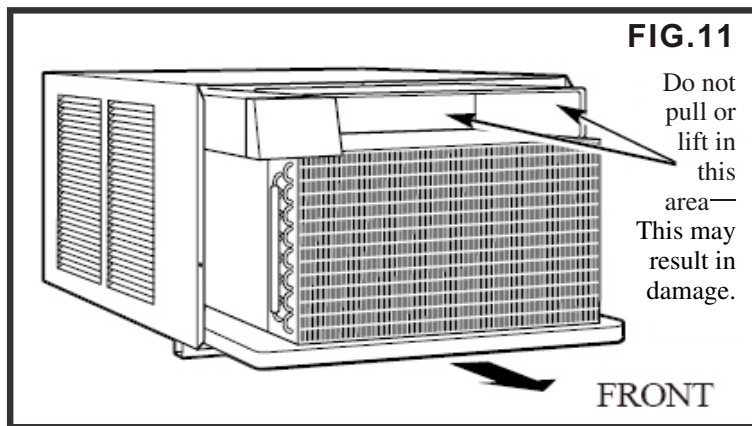
INSTALLATION & ASSEMBLY INSTRUCTIONS - WINDOW MOUNTING

REMOVE CHASSIS

6.Remove the six screws from the cabinet.(There are two screws on the top, left and right.) (FIG.10)



7. Hold the cabinet while pulling on the base handle to carefully remove the unit. Do not pull or lift near the top of the unit (FIG.11).



8. Remove the shipping block for the 24K(FIG.12).

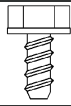



ASSEMBLY & INSTALLATION (CONT.)

Top Angle Rail and Side Bracket Installation

The top rail must be assembled prior to installing the air conditioner in the window

Tools Needed: Phillips Screw Driver

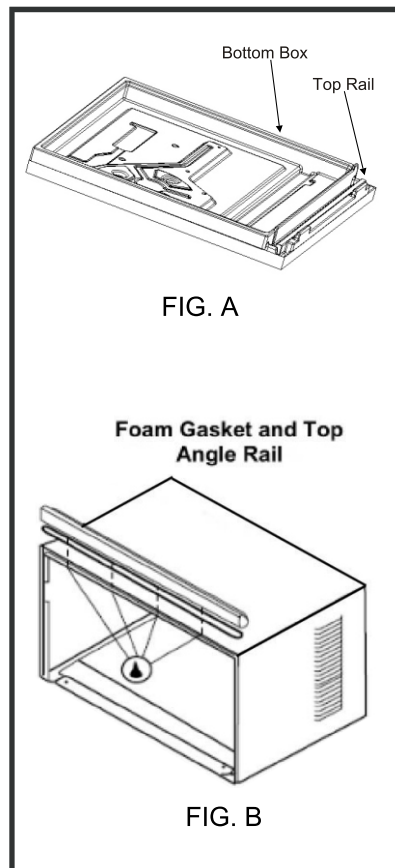
Top Rail Hardware	QTY
 5/16" Long Hex-head Screw	4
 Top Rail	1

Attaching the Top Rail to the Air Conditioner

1. Remove the air conditioner from the box and place on a hard flat surface.

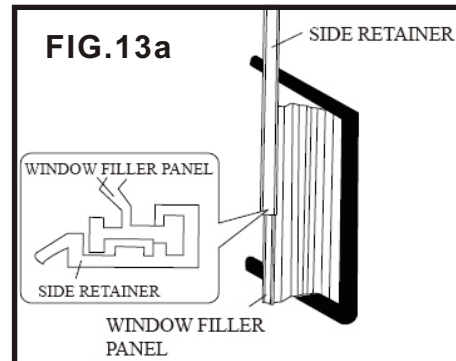
2. Remove top rail from the bottom of the packaging material as shown in FIG. A

3. Secure the top rail to the unit with the 5/16" Screws as shown in FIG. B

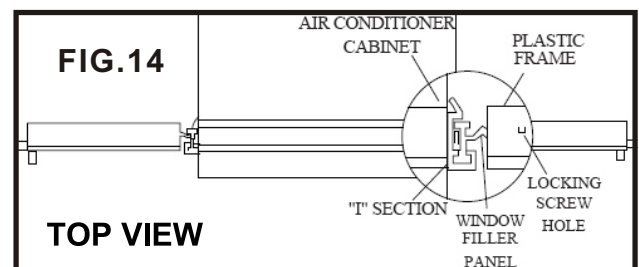
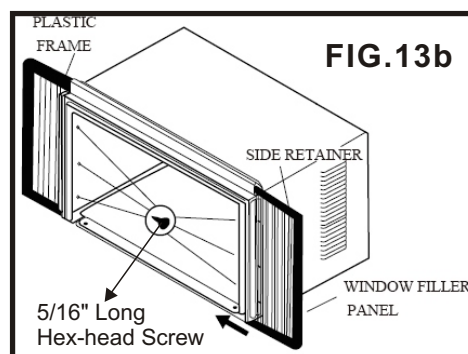


NOTE: For safety reasons, all 4 screws must be used to attach the top rail.

5. Slide the "I" section of the window panel into the side bracket of the cabinet (FIG.13a). Do this for both sides

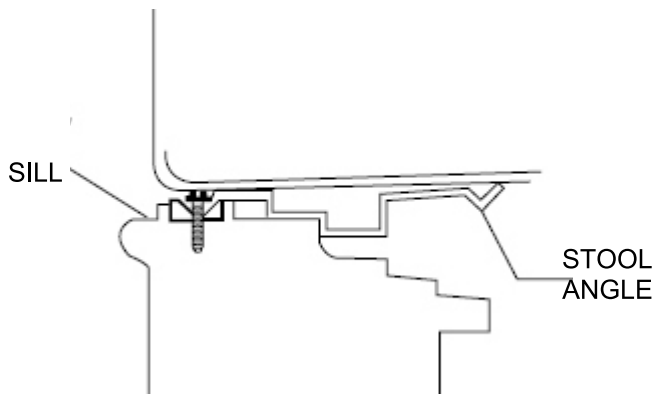


6. Insert top and bottom legs of window filler panel frame into channel in the top angle and bottom rail. Do both sides. Install side retainer to cabinet as shown. (FIG.13b-14).

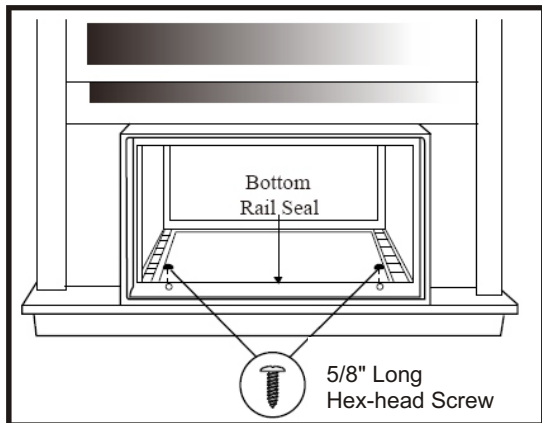


Placing the Cabinet Inside the Window

1. Open the window and place the cabinet in the middle of the window sill.
2. Make sure the bottom rail is seated over the window sill as shown below. Bring the window down temporarily behind the top angle rail to hold the cabinet in place. **(It is suggested to keep a downward angle so accumulated rain water can drain out from the backside of the unit.)**

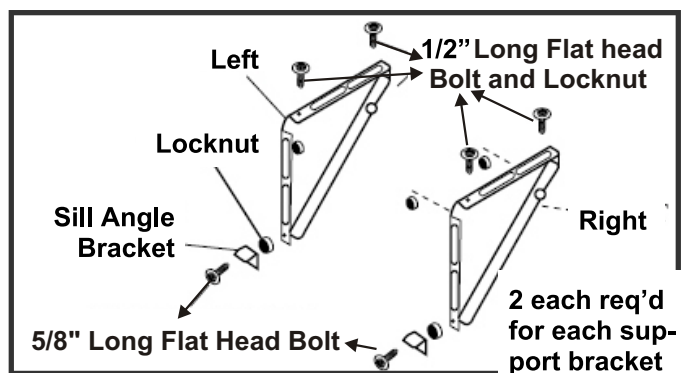
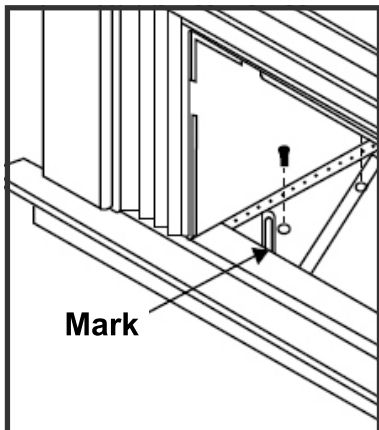


3. Fasten cabinet to window sill using two 5/8" Round-Head screws. Pre-drill holes if needed. Add the bottom rail seal over the screws. (It should set on the gasket for 22K/24K)

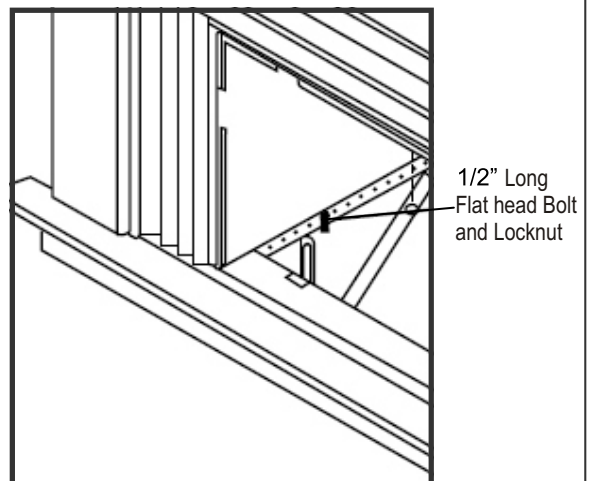


Install Support Brackets

1. Hold each support bracket flush against the outside of the window sill. Tighten each bracket to the bottom of the cabinet as shown below. Mark the brackets at top lever of the window sill and then remove.

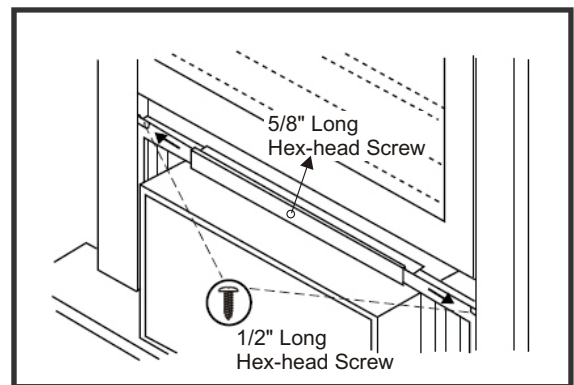


2. Assemble the sill angle brackets to the support brackets at the marked position as shown above. Hand tighten, but not all the way for any changes that may need to be made later during installation.
3. Install the support brackets (with sill angle brackets attached) to the bottom of the cabinet as shown below.
4. Tighten all 6 bolts securely.



Extend the Accordion Panels

1. Carefully raise the window to expose the accordion panel and panel frame. Loosen the locking screws so



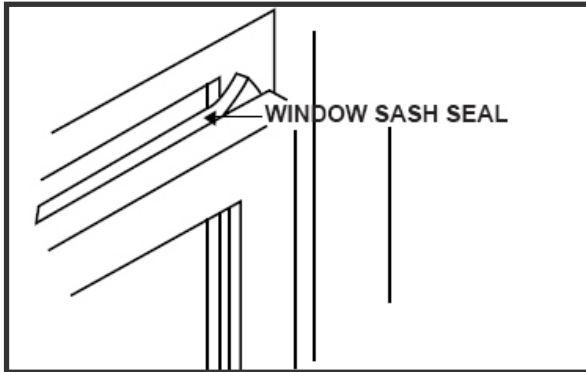
the accordion panels slide easily.

2. Extend each panel to completely fill the width of the window. Tighten the locking screws when the panels are fully extended.

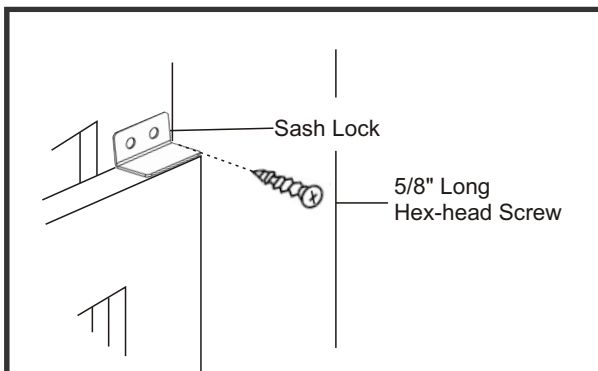
ASSEMBLY & INSTALLATION (CONT.)

Install the Window Lock and Sash Seal

1. Trim the sash seal to fit the width of the window. Insert the sash seal into space between the upper and lower sashes.



2. Attach the right angle sash lock as shown below.



Installing the Chassis into the Cabinet

1. Team lift (two people) the air conditioner chassis and carefully slide it into the cabinet. Let the front of the air conditioner hang out approximately 6".
2. **CAUTION: DO NOT PUSH ON THE CONTROLS OR FINNED COILS.**
3. Be sure the chassis is firmly seated in the back of the cabinet.
4. Insert all screws removed during window installation and reattach the front face plate, front panel, and the air filter. Use the REMOVE CHASSIS instructions and figures 5-11 for reference.

THRU-THE-WALL INSTALLATION

NOTE: Consult local building codes prior to installation and/or a qualified carpenter.

Select the Wall Location

This air conditioner has a slide-out chassis, so that it can be installed through an outside wall as specified below:

MAX WALL THICKNESS: 8"

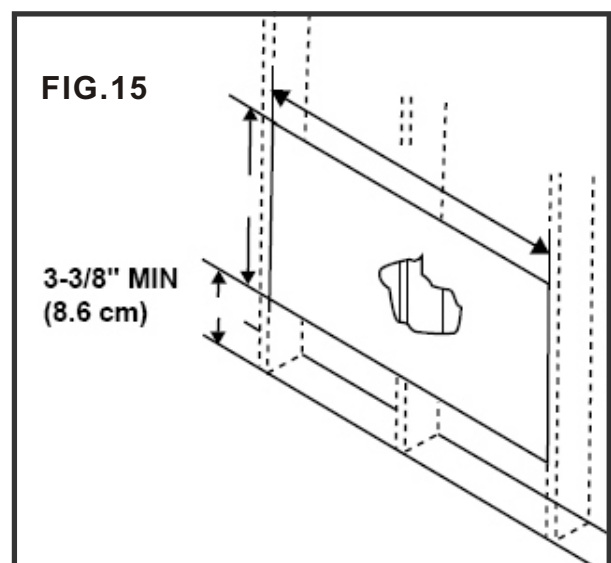
IMPORTANT: The side louvers must never be blocked.

NOTE: All parts needed for Thru-The-Wall Installation are provided, except a wood frame, shims, and 10 wood screws (10-1" long minimum). Select a wall surface that:

1. Does not support major structural loads such as the frame construction at ends of windows, and under truss-bearing points, etc.
2. Does not have plumbing or wiring inside.
3. Is near existing electrical outlets, or where another outlet can or will be installed.
4. Does not have objects blocking the air vents which limits cooling.
5. Allows unblocked airflow from the rear and sides of the air conditioner.

Prepare the Wall

1. Prepare the wall in frame construction (including brick and stucco veneer). Working from inside the room, find the wall stud that is nearest the center of the installation area.
2. Cut a hole on each side of the center stud.
3. Measure between the inside edges of every other stud as shown below.



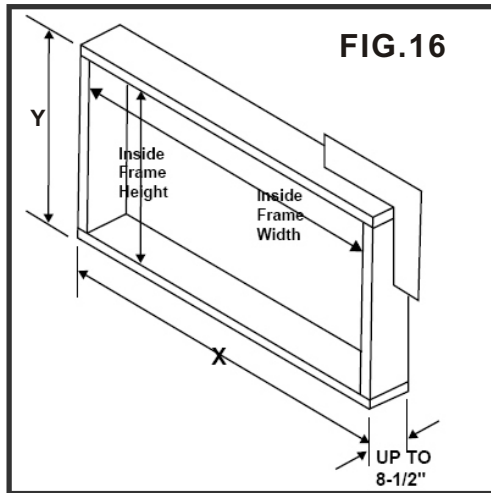
ASSEMBLY & INSTALLATION - THRU-THE-WALL (CONT.)

Carefully measure and cut an opening with the following dimensions depending on your model.

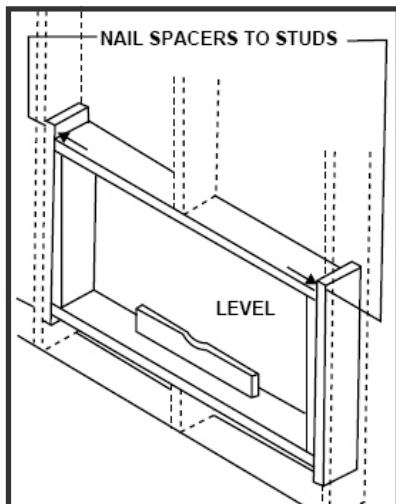
WIDTH "X" = inside model plus twice the thickness of the framing material used.

HEIGHT "Y" = inside model height plus twice the thickness of framing material used.

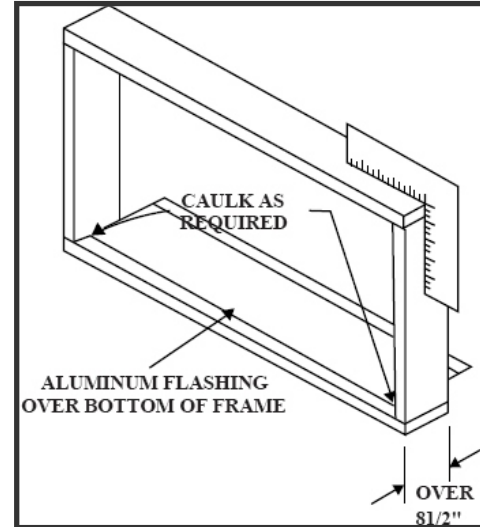
Model	15K/18K	22K/24K
Inside Frame Height	18 1/4 " (46.4 cm)	19 1/2 " (49.5 cm)
Inside Frame Width	23 7/8 " (60.6 cm)	26 9/10 " (68.3 cm)



- Build a wooden frame with the INSIDE dimensions of your model listed above (Measure twice). The frame depth should be the same as the wall thickness. Fill in extra space from the opening to the studs with wood spacers as shown below.
- Nail the spacers to the studs. They should be flush with the dry wall.

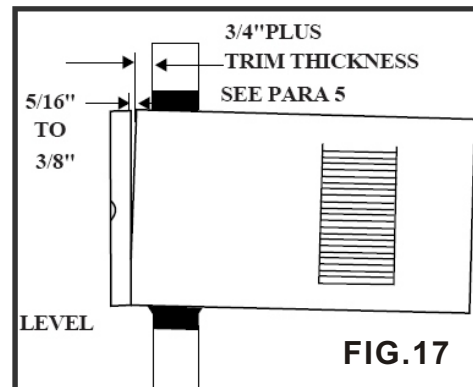


NOTE: If wall thickness is 8-1/2" or more, add aluminum flashing over the bottom of the frame opening to assure water is unable to enter the area between the inner and outer wall.

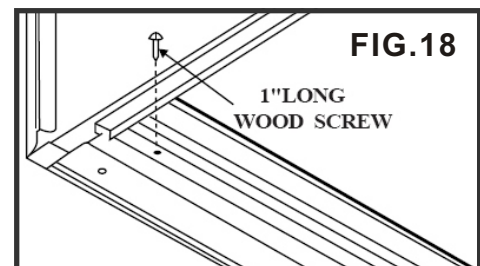


Prepare and Install the Cabinet

- Slide the chassis from the cabinet. Refer back to the REMOVE CHASSIS instructions (Page 6 and 7) in the WINDOW MOUNTING SECTION.
- Place the cabinet into the opening with the bottom rail resting firmly on the bottom board of the wood frame.
- Position the cabinet so it is tilted properly for water removal as seen below.

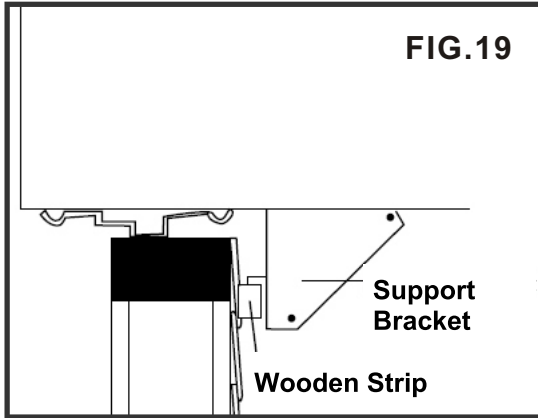


- Secure the bottom rail to the wood frame with two large 1" (2.5 cm) long wood screws as shown below.

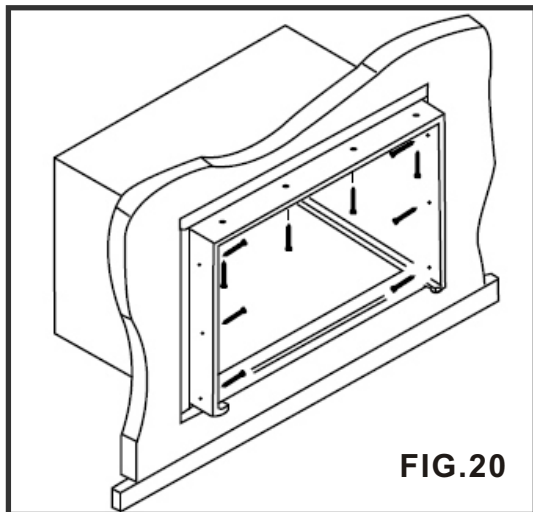


ASSEMBLY & INSTALLATION - THRU-THE-WALL (CONT.)

Refer to the SUPPORT BRACKET ASSEMBLY in the WINDOW MOUNTING section to assemble the support brackets. A wooden strip nailed to the outside wall should be used in conjunction with the angled sill support brackets.



5. Screw or nail the cabinet to the wooden frame using shims if the frame is oversized, to eliminate possible noise. Remember to maintain proper slope for water elimination.



6. Install the chassis into the cabinet by following the steps described in the WINDOW MOUNTING section.

OPTIONAL: Caulking and installation of the trim on the interior wall may be done if desired. Caulk the openings around the top and sides of the cabinet and all sides of the wood sleeve to the opening.

NOTE: See the WINDOW MOUNTING instructions for the bottom rail seal location.

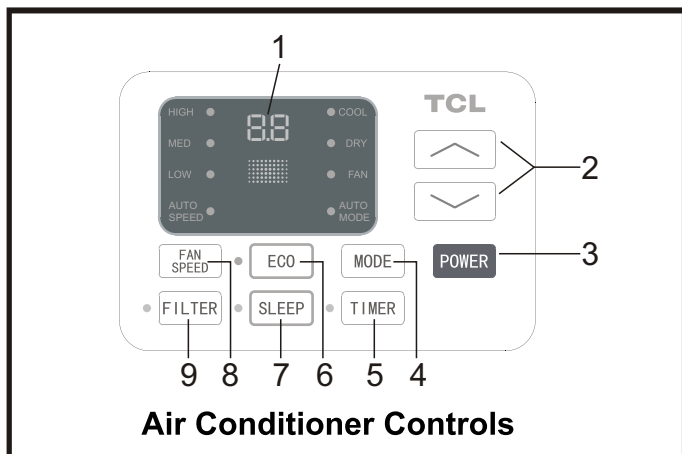
MASONRY CONSTRUCTION

1. Cut or build a wall opening in the masonry wall similar to the frame construction (refer to the THRU-THE-WALL installation for a wall thickness greater than 8 1/2").
2. Secure the cabinet in place using masonry nails, or masonry anchor screws. Or, build a frame using the instructions found in the THRU-THE-WALL installation section.
3. Make sure the masonry above the cabinet is supported well. Use the existing holes in the cabinet or additional drilled holes to fasten the cabinet at various positions. Make sure that the side louvers are clear of any obstructions.
4. Install the exterior cabinet support brackets according to the SUPPORT BRACKET INSTALLATION instructions in the THRU-THE-WALL installation section. Caulk or flash with aluminum if needed. This will provide a tight seal around the top and sides of the cabinet.
5. For a more aesthetically pleasing installation, apply wood trim molding around the sides of the cabinet without obstructing the side louvers.

USING YOUR AIR CONDITIONER

Electronic Control Panel & Remote Control

NOTE: This display always shows the room temperature in Fan Mode except when setting the Set temperature or the Timer.



Air Conditioner Controls

Normal Operating Sounds

- You may hear a pinging noise caused by water hitting the condenser, on rainy days, or when the humidity is high. This design feature helps remove moisture and improve efficiency.
- You may hear the thermostat click when the compressor cycles on and off.
- Water will collect in the base pan during rain or days of high humidity. The water may overflow and drip from the outside part of the unit.
- The fan may run even when the compressor is not on.

- Digital Display:** Without timer setting, the operation mode is Cooling, Dry, Fan and Auto, and the set temperature will be displayed. Time will be displayed under timer setting.
- ^ and v Button:** Use these buttons on the control panel and remote to increase or decrease the Set Temperature or Timer. Temperature range: 61°F~88°F or 16°C~31°C.
- Power Button:** Turn the air conditioner on and off.
- Mode Button:** Press the mode button to cycle through the various modes: Cool, Dry, Fan and Auto.

Cool Mode: The cooling function allows the air conditioner to cool the room and at the same time reduces Air humidity. Press the MODE button to activate the cooling function. To optimize the function of the air conditioner, adjust the temperature and the speed by pressing the button indicated.

Dry Mode: This function reduces the humidity of the air to make the room more comfortable. Press MODE button to set the DRY mode. An automatic function of alternating cooling cycles and air fan is activated.

Fan Mode: The conditioner works in only ventilation. Press MODE button to set the FAN mode. With pressing FAN SPEED button the speed changes in the following sequence: Hi, Med and Lo in FAN mode. The remote control also stores the speed that was set in the previous mode of operation.

Auto Mode: In AUTO mode the unit automatically chooses the fan speed and the mode of operation (COOL, DRY or FAN). In this mode the fan speed and the temperature are set automatically according to the room temperature (tested by the temperature sensor which is incorporated in the indoor unit.).

- Timer Button:** Use these buttons on the control panel and remote to set the Timer.

Timer Off: The timed stop is programmed by pressing TIMER button. Set the rest time by pressing the button “^” or “v” until the rest time displayed is to your demand then press TIMER button again.

Timer On: When the unit is off, press TIMER button at the first time, set the temperature with pressing the button “^” or “v”. Press TIMER button at the second time, set the rest time with pressing the button “^” or “v”. Press TIMER button at the third time, confirm the setting, then it will automatically switch on and show on the display.

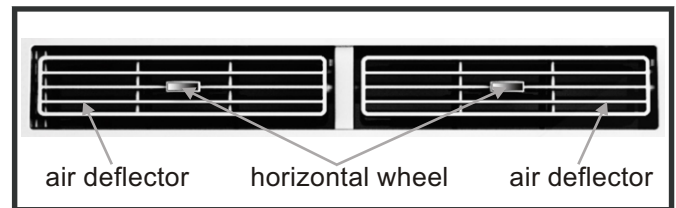
Note: It can be set to automatically turn off or on in 0.5-24 hours. Each press of the “^” “v” buttons will increase or decrease the timer. The Timer can be set in 0.5 hours increment below 10 hours and 1 hour increment for 10 hours or above. The SET light will turn on while setting. To cancel the set function, press the TIMER button again.

USING YOUR AIR CONDITIONER

Electronic Control Panel & Remote Control

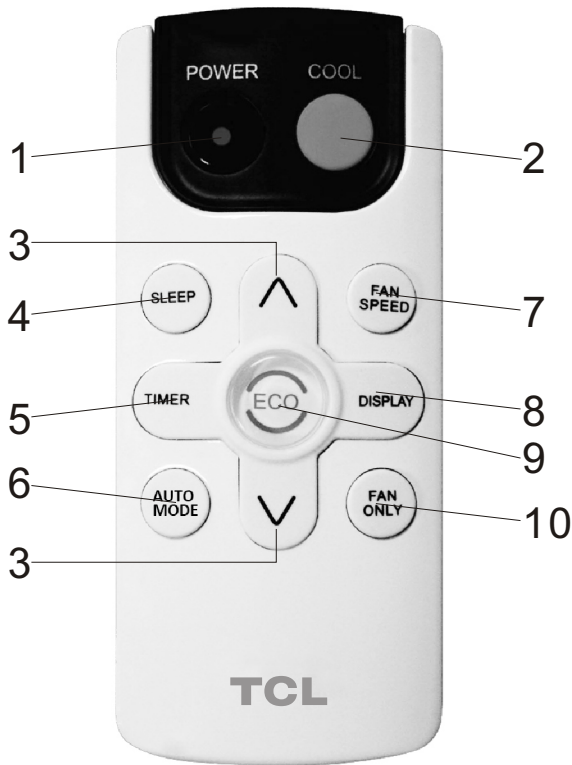
6. **Eco Button:** When the unit is in ECO mode, the light will turn on. In ECO mode, the unit will turn off once the room is cooled to the user set temperature. The fan will also be off at this point. The unit will turn back on when the room temperature rises above the user set temperature. Before the compressor starts, the fan motor will run for a while, then it will stop for a while, and will repeat to provide a much more comfortable feeling and save energy.
7. **Sleep Button:** Press the SLEEP button, the Sleep Light will be on for 10 seconds, and then all of the display lights will turn off. In SLEEP mode, the air-conditioner will automatically adjust the temperature and fan speed to make the room more comfortable during the night. The set temperature will automatically raise by 1.8°F every 30-60 minutes and at most change six times until the set temperature is 82.4 °F.
8. **Fan Speed Button:** Press the FAN SPEED button to choose the fan speed options. You can choose Hi, Med, Lo or auto speed in COOL mode and choose Hi, Med, Lo in FAN mode.
9. **Filter Button:** When the Filter Check light is off, it is useless to press the Filter Check button. When the Filter Check light is on, it can turn off the light by pressing the Filter Check button. After the fan motor works for 500 total hours, the Filter Check light will turn on to remind the user to clean the filter.

10. **Directional Louvers:** To direct the airflow, use the horizontal wheel to control the horizontal direction, and use the air deflectors to control the vertical direction.



OPERATING YOUR AIR CONDITIONER

REMOTE CONTROL



1. **Power:** Turn the air conditioner on and off.
2. **Cool:** Press the COOL button to COOL mode.
3. **^ and v:** Use these buttons on the control panel and remote to increase or decrease the Set Temperature or Timer. Temperature range: 61°F~88°F or 16°C~31°C.
4. **Sleep:** Press the SLEEP button, the Sleep Light will be on for 10 seconds, and then all of the display lights will turn off. In SLEEP mode, the air-conditioner will automatically adjust the temperature and fan speed to make the room more comfortable during the night. The set temperature will automatically raise by 1.8°F every 30-60 minutes and at most change six times until the set temperature is 82.4 °F.
5. **Timer:** Use these buttons on the control panel and remote to set the Timer.
Timer Off: The timed stop is programmed by pressing TIMER button. Set the rest time by pressing the button “^” or “v” until the rest time displayed is to your demand then press TIMER button again.
Timer On: When the unit is off, press TIMER button at the first time, set the temperature with pressing the button “^” or “v”. Press TIMER button at the second time, set the rest time with pressing the button “^” or “v”. Press TIMER button at the third time, confirm the setting, then the rest time to next automatical switching-on could be read on the display of the machine.
Note: It can be set to automatically turn off or on in 0.5-24 hours. Each press of the “^” “v” buttons will increase or decrease the timer. The Timer can be set in 0.5 hours increment below 10 hours and 1 hour increment for 10 hours or above. The SET light will turn on while setting. To cancel the set function, press the TIMER button again.
6. **Auto Mode:** In AUTO mode the unit automatically chooses the fan speed and the mode of operation (COOL, DRY or FAN). In this mode the fan speed and the temperature are set automatically according to the room temperature (tested by the temperature sensor which is incorporated in the indoor unit.).
7. **Fan Speed:** Press the FAN SPEED button to choose the fan speed options. You can choose Hi, Med, Lo or auto speed in COOL mode and choose Hi, Med, Lo in FAN mode.
8. **Display:** To press the DISPLAY button, it can switch off/on all lights or LED display.
9. **Eco:** When the unit is in ECO mode, the light will turn on. In ECO mode, the unit will turn off once the room is cooled to the user set temperature. The fan will also be off at this point. The unit will turn back on when the room temperature rises above the user set temperature. Before the compressor starts, the fan motor will run for a while, then it will stop for a while, and will repeat to provide a much more comfortable feeling and save energy.
10. **Fan Only:** Press the Fan Only button to FAN ONLY mode.

Battery Size: AAA - NOTE: Do not mix old and new batteries or different types of AAA batteries.

CARE AND CLEANING

Clean your air conditioner to keep it looking new and to minimize dust build up.

Air Filter Cleaning

The air filter should be checked at least once every month to see if it needs cleaning. Trapped particles and dust can build up in the filter and may decrease airflow as well as cause the cooling coils to accumulate frost. To clean the air filter:

1. Remove the filter by pulling down on the indents of the filter door on the front of the unit. (See FIG.21)
2. Wash the filter using liquid dish soap and warm water. Rinse the filter thoroughly. Gently shake the filter to remove excess water.
3. Let the filter dry completely before placing it into the air conditioner.
4. If you do not wish to wash the filter, you may vacuum the filter to remove the dust and other particles.

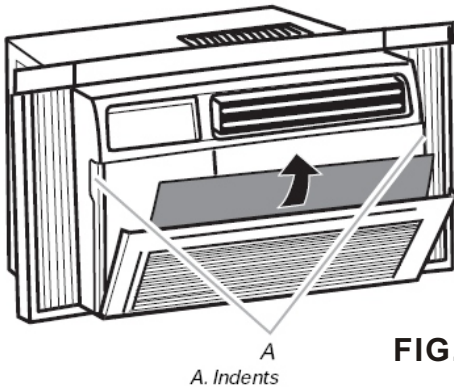


FIG.21

Wear and Tear

To minimize wear and tear on the air conditioner, always wait at least 3 minutes before changing modes. This will help prevent the compressor from overheating and the circuit breaker from tripping.

Cabinet Cleaning

To clean the air conditioner cabinet:

- Unplug the air conditioner to prevent shock or a fire hazard. The cabinet and front panel of the air conditioner may be dusted with an oil-free cloth or washed with a cloth dampened in a solution of warm water and mild liquid soap. Rinse thoroughly with a damp cloth and wipe dry.
- Never use harsh cleaners, wax or polish on the cabinet front.
- Be sure to wring excess water from the cloth before wiping around the controls. Excess water in or around the controls may cause damage to the air conditioner.

Winter Storage

To store the air conditioner when it is not in use for an extended period of time, remove it carefully from the window according to the installation instructions and cover it with plastic or place it in the original box.

TROUBLESHOOTING

PROBLEM	POSSIBLE CAUSES	SOLUTIONS
The Air Conditioner will not start	The air conditioner is unplugged.	<ul style="list-style-type: none"> Make sure the air conditioner is plug is pushed completely into the outlet.
	The fuse is blown/circuit breaker is tripped.	<ul style="list-style-type: none"> Check the house fuse/circuit breaker box and replace the fuse or reset the breaker.
	Power Failure.	<ul style="list-style-type: none"> The unit will automatically re-start when power is restored. There is a protective time delay (approx. 3 minutes) to prevent tripping of the compressor overload. For this reason, the unit may not start normal cooling for 3 minutes after it is turned back on.
	The current interrupter device is tripped.	<ul style="list-style-type: none"> Press the RESET button located on the power cord plug. If the RESET button will not stay engaged, discontinue use of the air conditioner and contact a qualified service technician.
The Air Conditioner does not cool as it should	Airflow is restricted.	<ul style="list-style-type: none"> Make sure there are no curtains, blinds, or furniture blocking the front of the air conditioner.
	The temperature control may not be set correctly.	<ul style="list-style-type: none"> Lower the set thermostat temperature.
	The air filter is dirty.	<ul style="list-style-type: none"> Clean the filter. See the Cleaning and Care Section of the manual.
	The room may be too warm.	<ul style="list-style-type: none"> Please allow time for the room to cool down after turning on the air conditioner.
	Cold air is escaping.	<ul style="list-style-type: none"> Check for open furnace registers and cold air returns.
	The Cooling Coils are frozen.	<ul style="list-style-type: none"> See "Air Conditioner Freezing Up" below.
The Air Conditioner is freezing up	Ice blocks the air flow and stops the air conditioner from cooling the room.	<ul style="list-style-type: none"> Set the MODE to HIGH FAN or HIGH COOL and set the thermostat to a higher temperature.
The Remote Control is not working	The batteries are inserted incorrectly.	<ul style="list-style-type: none"> Check the position of the batteries.
	The batteries may be dead.	<ul style="list-style-type: none"> Replace the batteries.

TROUBLESHOOTING (CONT.)

PROBLEM	POSSIBLE CAUSES	SOLUTIONS
Water is dripping outside	Hot and Humid weather.	<ul style="list-style-type: none">• This is normal.
Water is dripping inside the room	The air conditioner is not correctly tilted outside.	<ul style="list-style-type: none">• For proper water drainage, make sure the air conditioner is slightly tilted downward from the front of the unit to the rear.
Water collects in the base pan	Moisture removed from the air is draining into the base pan.	<ul style="list-style-type: none">• This is normal for a short period in areas with low humidity and normal for a longer period in areas with high humidity.
Digital Display reads "E1", "E2"	A sensor has failed.	<ul style="list-style-type: none">• Contact customer service.



This instruction has an alternative format and you could obtain from our website: <http://tclusa.com>

TCL

Modelos

TWC-15CR/UH (ES)

TWC-18CR2/UH (ES)

TWC-22CR2/UH (ES)

TWC-24CR2/UH (ES)

Acondicionador de aire de ventana electrónica

Instrucciones de funcionamiento



INSTRUCCIÓN

INSTRUCCIÓN DE SEGURIDAD IMPORTANTE	1
REQUISITOS ELÉCTRICOS	2
LISTA DE EMBALAJE.....	3
INSTRUCCIONES DE INSTALACIÓN Y MONTAJE.....	4
USANDO SU ACONDICIONADOR DE AIRE.....	13
FUNCIONAMIENTO DE SU ACONDICIONADOR DE AIRE	15
CUIDADO Y LIMPIEZA	16
SOLUCIÓN A PROBLEMAS	17

INSTRUCCIONES IMPORTANTES DE SEGURIDAD

Antes de instalar y usar su acondicionador de aire, por favor lea cuidadosamente este manual del propietario. Guarde este manual en un lugar seguro para futuras consultas. Su seguridad y la seguridad de los demás son muy importantes para nosotros. Por favor preste atención a todos los mensajes de seguridad descritos en este manual del propietario.

ADEVETENCIA: Para reducir el riesgo de incendio, choque eléctrico o lesiones al usar su acondicionador de aire, siga las siguientes precauciones básicas:

- Enchúfelo en un tomacorriente de 3 terminales con conexión a tierra.
- No retire la clavija de tierra.
- No utilice un adaptador de enchufe.
- No utilice un alargador.
- Desconecte el acondicionador de aire antes de dar servicio.
- Utilice dos o más personas para mover e instalar el acondicionador de aire



Este es un símbolo de alerta de seguridad. Este símbolo le alerta sobre posibles peligros que pueden perjudicarle a usted o a otros o incluso causar la muerte. Todos los mensajes de seguridad seguirán directamente el símbolo de alerta de seguridad y/o las palabras "peligro" o "ADVERTENCIA".

⚠ DANGER

⚠ WARNING

No seguir inmediatamente estas instrucciones puede causar lesiones graves o incluso la muerte.

Todos los mensajes de seguridad le alertan de los peligros potenciales, cómo reducir la posibilidad de lesiones, y lo que puede suceder si no se siguen las instrucciones correctamente.

REQUISITOS ELÉCTRICOS

⚠ WARNING



Peligro de Choque Eléctrico

conectada a un tomacorriente de 3 terminales con conexión a tierra.

No retire la clavija de tierra.

Do not use an adapter

No utilice un alargador.

No seguir estas instrucciones puede resultar en muerte, incendio o descarga eléctrica

Las clasificaciones eléctricas para su acondicionador de aire se enumeran en la etiqueta del número de modelo y de serie situada en el lado delantero izquierdo de la unidad (al frente).

Los requisitos eléctricos específicos se enumeran en la tabla abajo. Siga los siguientes los requisitos para el tipo de enchufe del cable de alimentación.

Cable eléctrico

15K



18K/22K/24K



Método de la Conexión a tierra recomendado

Para su seguridad personal, este acondicionador de aire debe estar conectado a tierra. Este acondicionador de aire está equipado con un cable de alimentación de 3 puntas con un enchufe conectado a tierra. Para minimizar la posibilidad de una descarga eléctrica, el cable debe enchufarse en un tomacorriente de 3 clavijas y conectarse a tierra de acuerdo con todos los códigos y ordenanzas locales. Si un tomacorriente de 3 clavijas no está disponible, es responsabilidad del cliente tener un tomacorriente de 3 clavijas debidamente conectado a tierra instalado por un electricista calificado.

Es responsabilidad del cliente:

- Para contactar a un electricista calificado.
- Para asegurar que la instalación eléctrica es adecuada y en conformidad con el código eléctrico nacional, ANSI/NFPA 70-última edición, y todos los códigos y ordenanzas locales.

Las copias de las normas enumeradas pueden obtenerse de:

Asociación Nacional de protección contra incendios

Un Parque de batterymarch

Quincy, Massachusetts 02269

Cable de alimentación y enchufe de LCDI

Este acondicionador de aire está equipado con un cable de alimentación de LCDI (detección e interrupción de la corriente de fuga) requerido por UL. Este cable de alimentación contiene una electrónica de última generación que detecta la corriente de fuga. Si el cable está dañado y se produce una fuga, se desconectará la alimentación de la unidad.

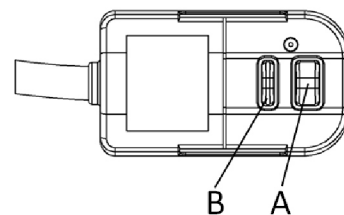
Los botones de prueba y restablecimiento del enchufe LCDI se utilizan para comprobar si el enchufe funciona correctamente. Para probar el enchufe:

1. Enchufe el cable de alimentación en un tomacorriente de 3 clavijas con conexión a tierra.
2. Presione RESET (en algunas unidades se encenderá una luz verde).
3. Presione el botón de PRUEBA, el circuito debe disparar y cortar toda la energía al acondicionador de aire (en algunas unidades una luz verde puede apagarse).
4. Pulse el botón RESET para utilizarlo. Oirá un clic y el A/C no está listo para su uso.

NOTAS:

- El botón de reinicio debe estar enganchado para un uso adecuado.
- El cable de alimentación debe ser sustituido si no se dispara cuando se presiona el botón de prueba y la unidad no se reinicia.
- No utilice el cable de alimentación como interruptor de encendido/apagado. El cable de alimentación está diseñado como un dispositivo de protección.
- Un cable de alimentación dañado debe ser sustituido por un nuevo cable de alimentación.
- El cable de alimentación contiene nuevas piezas que se deben reparar al usuario. La apertura del estuche resistente a la manipulación anula todas las reclamaciones de garantía y rendimiento.


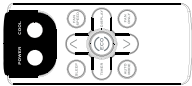
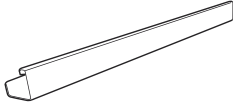


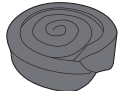
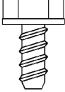






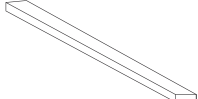
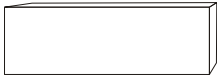
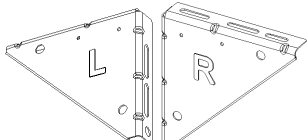
Nota: el cable de alimentación y el enchufe de su unidad pueden diferir del que se muestra.



A. Botón REINICIAR

B. Botón PRUEBA

LISTA DE EMBALAJE

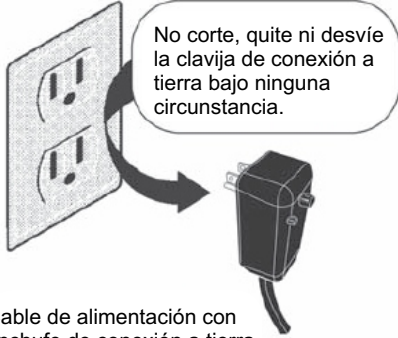
IMAGEN	PARTE	CANTIDAD
	Acondicionador de aire de ventana	1
	Control remoto	1
	Carril de montaje superior (con la esponja)	1
	Paneles de relleno (con la observación "izquierda" y "derecha" en la cara frontal)	2
	Cerradura del marco (dos agujeros)	1
	Sello del marco de la ventana (esponja)	1
	5/16" Tornillo largo de hexágono - cabeza	10
	5/8" Tornillo largo de hexágono - cabeza	4
	1/2" Tornillo largo de hexágono - cabeza	2
	5/8" Perno de cabeza plana y contratuerca largos	2ea
	Soporte del ángel del travesaño	2
	1/2" Perno de cabeza plana y contratuerca largos	4ea
	Empaque	2
	Junta superior de la ventana de la espuma (esta esponja se usa como respaldo)	1
	Tira del aislamiento (esponja)	2
	Soporte (con la observación de R y de L)	2

Denegación de responsabilidad

Toda la información y las especificaciones técnicas presentadas en este manual de usuario son la presentación del fabricante.

⚠ WARNING Evite el peligro de incendio o la descarga eléctrica. No utilice un alargador o un enchufe adaptador. No retire ninguna clavija del cable de alimentación.

Tipo de conexión a tierra receptáculo de pared



No corte, quite ni desvíe la clavija de conexión a tierra bajo ninguna circunstancia.

Cable de alimentación con enchufe de conexión a tierra de 3 clavijas y dispositivo de detección de corriente.

Instrucciones de Instalación y Montaje

Preparación de la ventana

Por favor lea todas las instrucciones antes de instalar su acondicionador de aire. Se recomienda a dos personas instalar este producto. Si se requiere una nueva toma de corriente eléctrica, instale la toma de corriente por un electricista calificado antes de instalar la unidad.

Antes de instalar la unidad, verifique las dimensiones de su ventana para asegurarse de que el acondicionador de aire se adapte. Esta unidad se hace para caber dentro de una ventana doble-colgada estándar. Asegúrese de que la ventana esté en buen estado y que pueda sujetar firmemente los tornillos necesarios. Si no es así, haga las reparaciones antes de instalar la unidad.

Modelo	15K/18K	22K/24K
Altura de la unidad (pulgadas)	17.91	18.625
Anchura de la unidad (pulgadas)	23.625	26.50
Abertura mínima de la ventana (véase la Fig I) (pulgadas)	19.00	19.50
Anchura mínima de la ventana (pulgadas)	28.00	30.00
Anchura máxima de la ventana (pulgadas)	41.00	41.00

Requisitos de ventana de tormenta

Un marco de la ventana de la tormenta no permitirá que el acondicionador de aire se incline correctamente que a su vez mantendrá el drenaje correctamente. Para ajustar para esto, fije una tabla o una pieza de madera al alféizar. El tablero o la pieza de madera deben tener una profundidad de por lo menos 1/2 ". Asegúrese de que el tablero o la pieza de madera sea aproximadamente 1/2 "más alto que el marco de la ventana de la tormenta. Esto permitirá que el acondicionador de aire se incline lo suficiente para un drenaje adecuado.(15K/18K VerFIG.1/FIG.2 ; 22K/24KVer FIG.3/FIG.4).

FIG.1

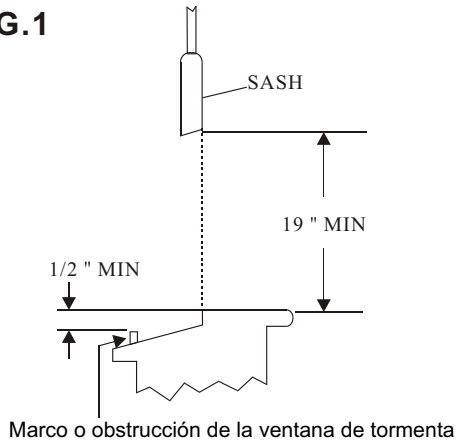
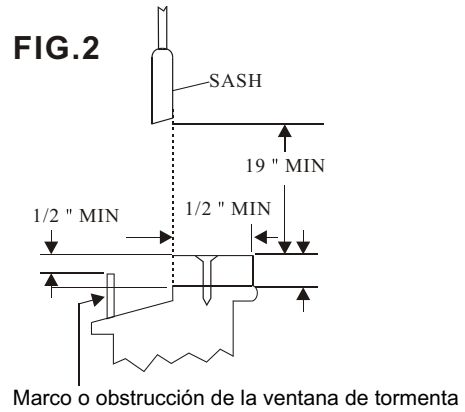


FIG.2



El tablero o la pieza de madera debe ser aproximadamente 1/2 "más alto que el marco de la ventana de la tormenta para el drenaje apropiado

FIG.3

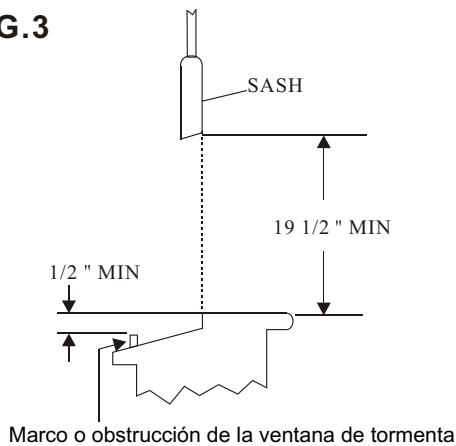
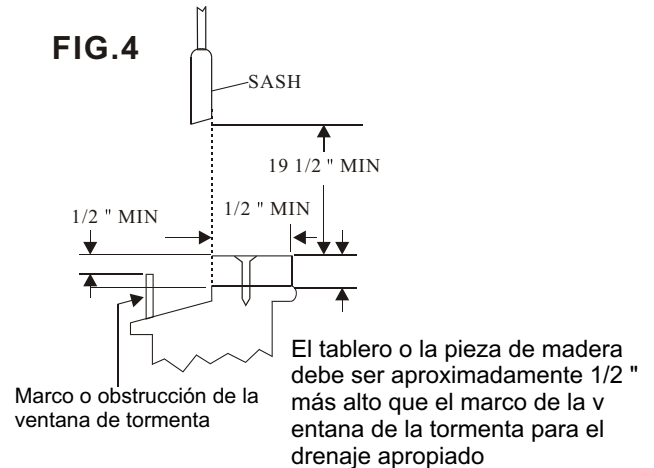


FIG.4



Requisitos de ventana de tormenta

1. Compruebe si hay algo que pueda bloquear el flujo de aire. Revise el área fuera de la ventana para ver si hay cosas como arbustos, árboles o toldos. Revise el área interior para asegurarse de que las cortinas o persianas no prevengan el flujo de aire adecuado.
2. Revise el tomacorriente eléctrico disponible. La fuente de alimentación debe ser la misma que se muestra en la placa de identificación de serie de la unidad (situada en el lado izquierdo de la unidad, cerca de la placa frontal). Asegúrese de que el tomacorriente esté lo suficientemente cerca para que el cable de alimentación pueda alcanzar.
3. Desembale cuidadosamente el acondicionador de aire. Retire todo el material de empaque y asegúrese de que el piso esté protegido al quitarlo. Debido al gran tamaño de este acondicionador de aire, dos personas deben mover la unidad juntos.

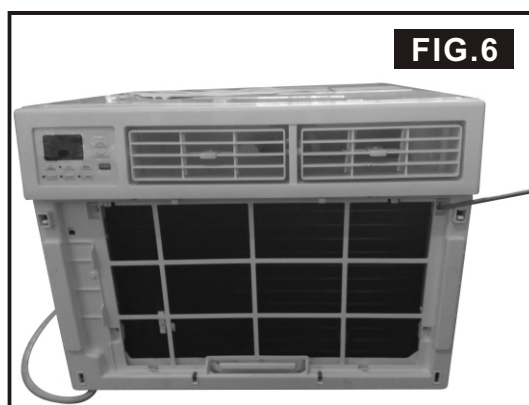
PRECAUCIÓN

Al manipular la unidad, tenga cuidado de evitar cortes de los bordes afilados de metal y las aletas de aluminio en las bobinas delantera y trasera.

Instrucciones de Instalación y Montaje-Montaje de la Ventana

Quitar chasis

1. Tire panel frontal hacia abajo y extraiga el filtro (FIG.5 a continuación).
2. Levante el panel delantero hacia arriba para quitarlo y colóquelo al costado.
3. Ubique los cuatro tornillos de la placa frontal y quítelos. Estos tornillos deberán volver a instalarse antes de montar el acondicionador de aire (FIG.6 encima).



4. Después de retirar los tornillos, tire suavemente de la placa frontal del gabinete del acondicionador de aire (FIG.7 y 8).



5. Retire el tornillo de un panel de control del panel frontal (FIG.9).

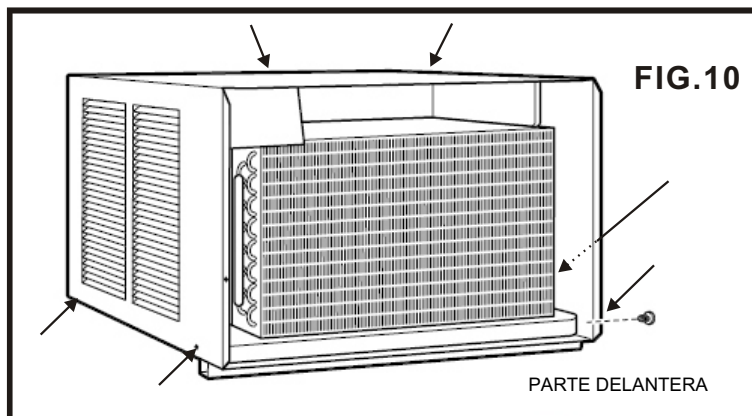


INSTALLATION & ASSEMBLY INSTRUCTIONS - WINDOW MOUNTING

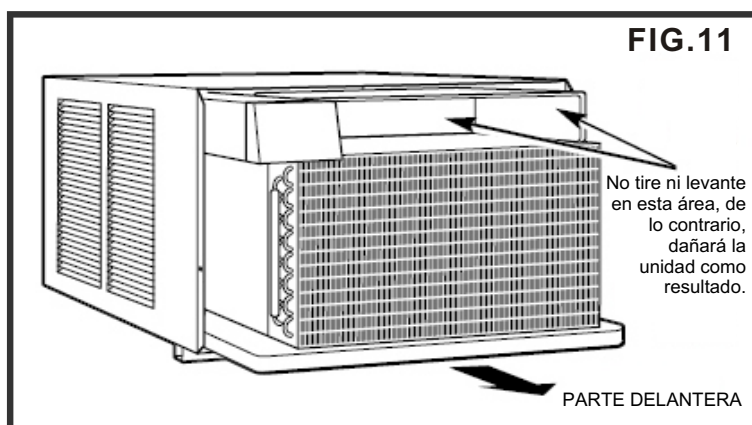
Instrucciones de Instalación y Montaje-Montaje de la Ventana

Quitar chasis

6. Retire los seis tornillos del gabinete. (cada lado para la tapa, la izquierda y la derecha tiene dos tornillos.) (FIG.10)



7. Sostenga los gabinetes mientras tira de la manija de la base para quitar cuidadosamente la unidad. No tire ni levante cerca de la parte superior de la (FIG.11).



8. Tome el algodón de la perla para 24K (FIG.12).

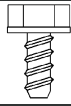



Montaje y Instalación(CONT.)

Instalación del riel superior y del soporte lateral

El riel superior debe ensamblarse antes de instalar el aire.

Herramientas necesarias: Destornillador de Phillips.

Top Rail Hardware		QTY
	5/16" Tornillo largo de hexagon-cabeza	4
	Riel superior	1

Fijación del riel superior al acondicionador de aire.

1. Retire el acondicionador de aire de la caja y colóquelo sobre una superficie plana y dura.

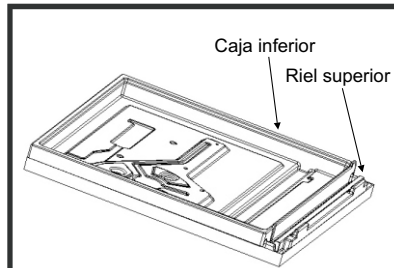


FIG. A

2. Retire el riel superior de la parte inferior del material de empaque como se muestra en la Fig. A.

Junta de espuma y riel de ángulo superior

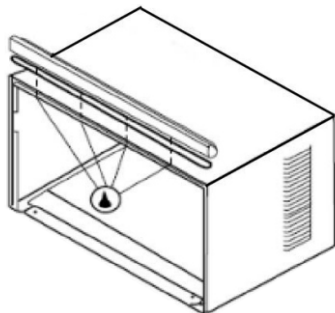
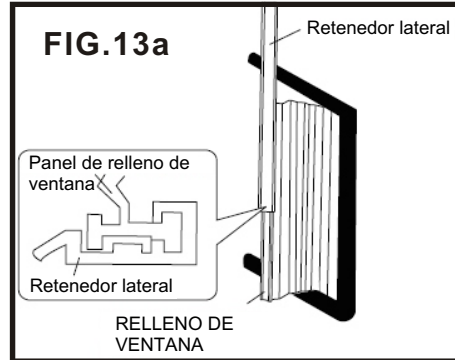


FIG. B

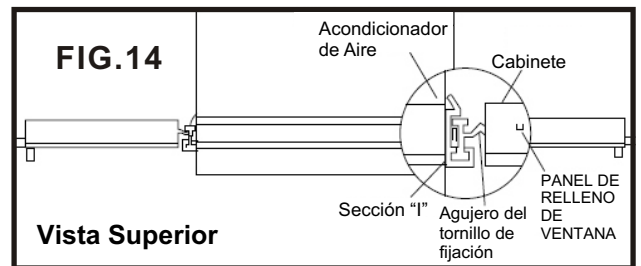
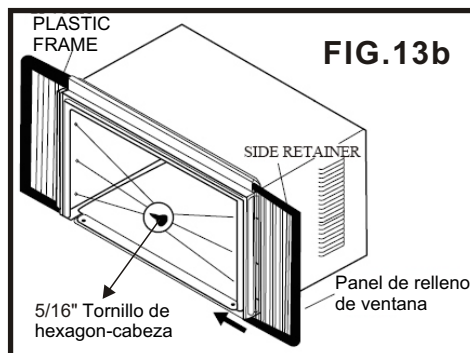
3. Fije el riel superior a la unidad con los tornillos de 5/16" como se muestra en la Fig.B.

Nota: por razones de seguridad, los 4 tornillos deben ser usados para fijar el riel superior.

5. Deslice la sección "I" del panel de la ventana en el soporte lateral del gabinete (Fig. 13a). Haga esto para ambos lados.



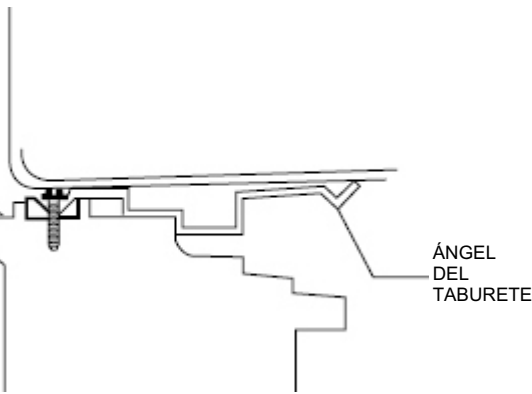
6. Inserte las patas superior e inferior del marco del panel de relleno de la ventana en el canal en el ángulo superior y el riel inferior. Hacer ambas partes. Instale el retén lateral en el gabinete como se muestra.(FIG 13b-14).



Colocación del gabinete dentro de la ventana

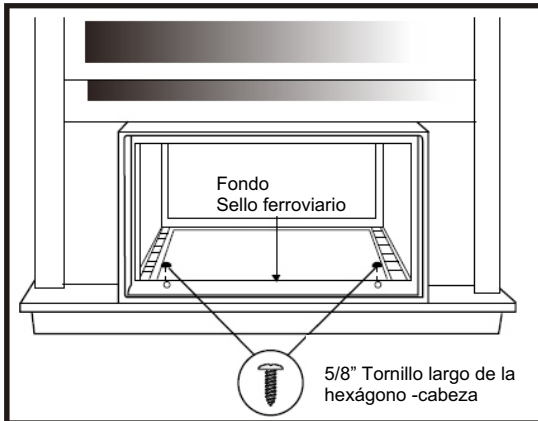
1. Abra la ventana y coloque el gabinete en el centro del alféizar de la ventana.
2. Asegúrese de que el riel inferior esté asentado sobre el alféizar de la ventana como se muestra abajo. Baje la ventana temporalmente detrás del riel angular superior para mantener el gabinete en su lugar. (sugiera mantener un oblicuo hacia abajo, para dejar drenar el agua acumulada de la lluvia del lado trasero de la parte inferior de la unidad hacia fuera.)

UMBRAL



ÁNGEL DEL TABURETE

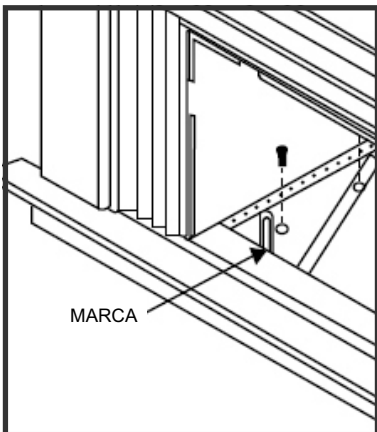
3. Fije el gabinete al alféizar de la ventana usando dos tornillos de cabeza redonda de 5/8". Perfore previamente los orificios si es necesario. Agregue el sello del riel inferior sobre los tornillos. (debe fijar en la Junta para 22K/24K).



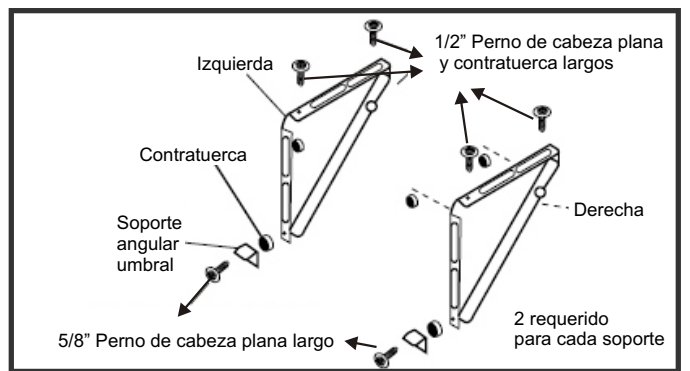
Empaque

Instale los soportes

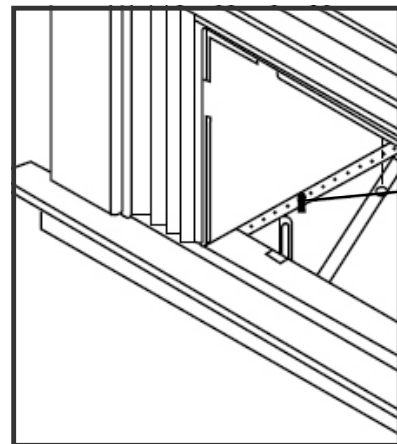
1. Sujete cada soporte de soporte a ras contra el exterior del alféizar de la ventana. Apriete cada soporte a la parte inferior del gabinete como se muestra abajo. Marque los soportes en la palanca superior del alféizar de la ventana y luego quítelos.



MARCA



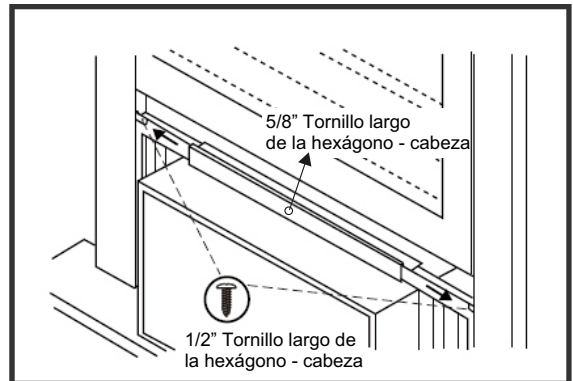
2. Ensamble los soportes angulares del travesaño a los soportes de soporte en la posición marcada como se muestra arriba. Apriete a mano, pero no todo el camino para cualquier cambio que pueda necesitar ser hecho más tarde durante la instalación.
3. Instale los soportes (con los soportes angulares del umbral conectados) a la parte inferior del gabinete, como se muestra a continuación.
4. Apriete bien los 6 pernos.



1/2" Perno de cabeza plana y contratuerca largos

Extienda los paneles de acordeón

1. Levante con cuidado la ventana para exponer el panel de acordeón y el marco del panel. Afloje los tornillos de fijación de manera que los paneles de acordeón se deslicen fácilmente.



5/8" Tornillo largo de la hexágono - cabeza

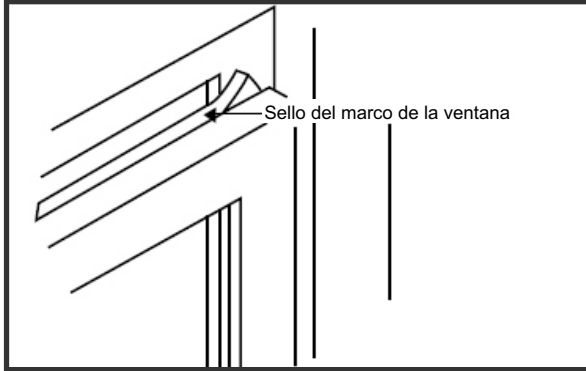
1/2" Tornillo largo de la hexágono - cabeza

2. Extienda cada panel para llenar completamente el ancho de la ventana. Apriete los tornillos de fijación cuando los paneles estén completamente extendidos.

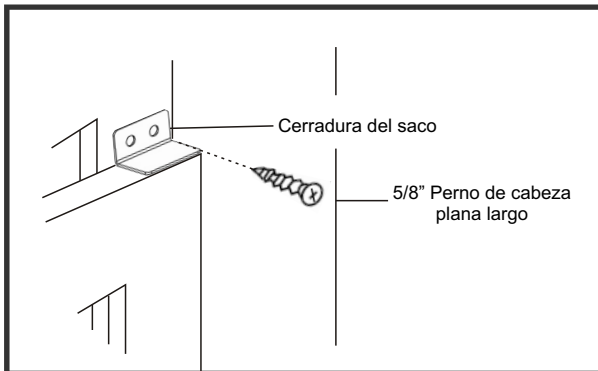
Montaje y Instalación (CONT.)

Instale la cerradura de la ventana y el sello del marco del marco.

1. Recorte el sello de la hoja para ajustar el ancho de la ventana. Inserte el sello de la hoja en el espacio entre las fajas superior e inferior.



2. Attach the right angle sash lock as shown below.



Instalación del chasis en el gabinete

1. Equipo elevador (dos personas) el chasis del acondicionador de aire y deslícelo cuidadosamente en el gabinete. Deje que el frente del acondicionador de aire cuelgue aproximadamente 6".
2. **PRECAUCIÓN:** no empuje los controles ni las bobinas con aletas.
3. Asegúrese de que el chasis esté firmemente asentado en la parte posterior del gabinete.
4. Inserte todos los tornillos removidos durante la instalación de la ventana y vuelva a colocar la placa frontal, el panel frontal y el filtro de aire. Utilice las instrucciones de Remove Chassis y las figuras 5-11 para referencia.

INSTALACIÓN A TRAVÉS DE LA PARED

Nota: Consulte los códigos locales de construcción antes de la instalación y/o un carpintero calificado.

Seleccione la ubicación de la pared.

Este acondicionador de aire tiene un chasis deslizable, de modo que pueda ser instalado a través de una pared exterior según lo especificado abajo:

Grueso Máximo de la Pared: 8"

IMPORTANTE: Las persianas laterales nunca deben ser bloqueadas.

NOTA: Todas las piezas necesarias para la instalación a través de la pared se proporcionan, excepto un marco de madera, cuñas, y 10 tornillos de madera (10-1" de largo mínimo). Seleccione una superficie de pared que:

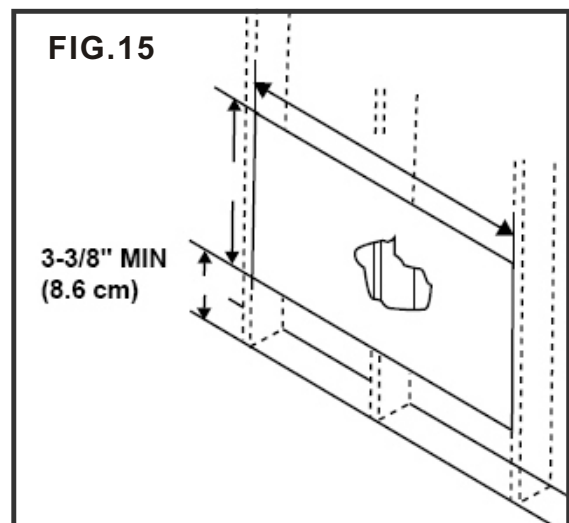
Este acondicionador de aire tiene un chasis deslizable, de modo que pueda ser instalado a través de una pared exterior según lo especificado abajo:

IMPORTANTE:

1. No soporta las cargas estructurales importantes como la construcción del bastidor en los extremos de las ventanas, y en los puntos de soporte de cerchas, etc.
2. No tiene plomería ni cableado adentro.
3. Se encuentra cerca de los tomacorrientes eléctricos existentes, o donde se puede o se instalará otra salida.
4. No tiene objetos que bloqueen las ventilaciones que limitan el enfriamiento
5. Permite el flujo de aire desbloqueado desde la parte posterior y los lados del acondicionador.

Preparar la pared

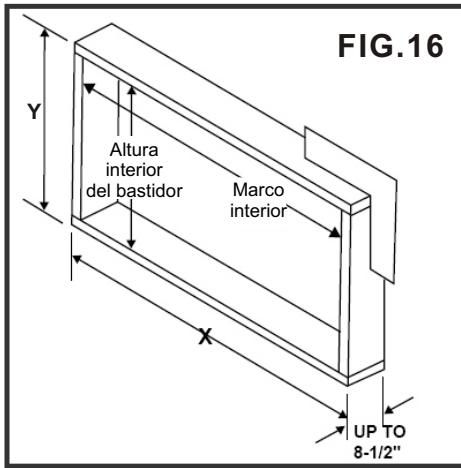
1. Prepare la pared en la construcción del armazón (incluyendo la chapa de ladrillo y estuco). Trabajando desde el interior de la habitación, localice el montante de pared que está más cerca del centro del área de instalación.
2. Corte un orificio a cada lado del perno central.
3. Mida entre los bordes interiores de cada otro espárrago como se muestra a continuación.



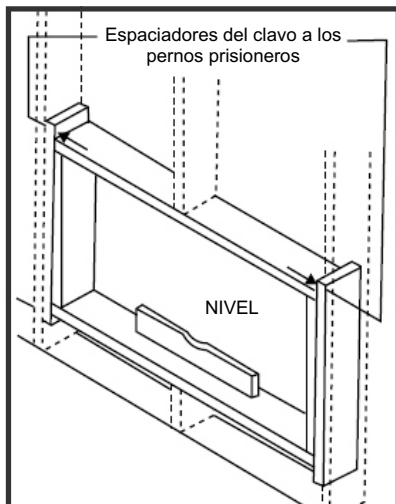
INSTALACIÓN A TRAVÉS DE LA PARED (CONT.)

Mida y corte cuidadosamente una abertura con las siguientes dimensiones dependiendo de su modelo.
ANCHURA "X" = interior modelo más el doble del espesor del material de encuadre utilizado.
ALTURA "Y" = altura del modelo interior más el doble del espesor del material de encuadre utilizado.

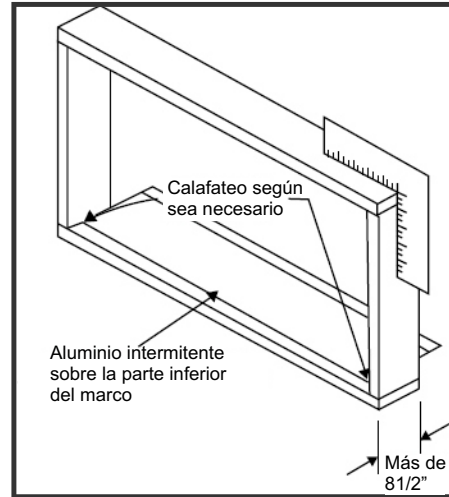
Modelo	15K/18K	22K/24K
Altura interior del bastidor	18 1/4 " (46.4 cm)	19 1/2 " (49.5 cm)
Anchura interior del bastidor	23 7/8 " (60.6 cm)	26 9/10 " (68.3 cm)



- Construya un marco de madera con las dimensiones interiores de su modelo enumerado arriba (mida dos veces). La profundidad del bastidor debe ser la misma que el espesor de la pared. Llene el espacio adicional de la abertura a los pernos prisioneros con los espaciadores de madera como se muestra abajo.
- Clave los espaciadores a los postes. Deben ser rasantes con la pared seca.

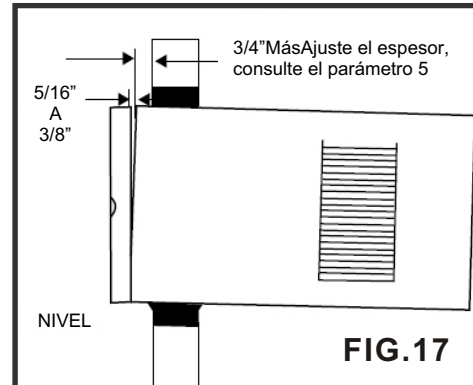


NOTA: If wall thickness is 8-1/2" or more, add aluminum flashing over the bottom of the frame opening to assure water is unable to enter the area between the inner and outer wall.

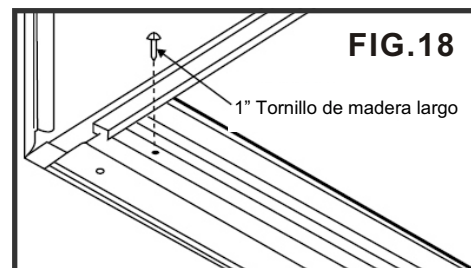


Prepare e instale el gabinete

- Deslice el chasis del gabinete. Consulte las instrucciones de remoción del chasis (página 6 y 7) en la sección de montaje de la ventana.
- Coloque el gabinete en la abertura con el riel inferior apoyado firmemente en el tablero inferior del marco de madera.
- Coloque el gabinete de modo que esté inclinado apropiadamente para remover el agua como se ve abajo.

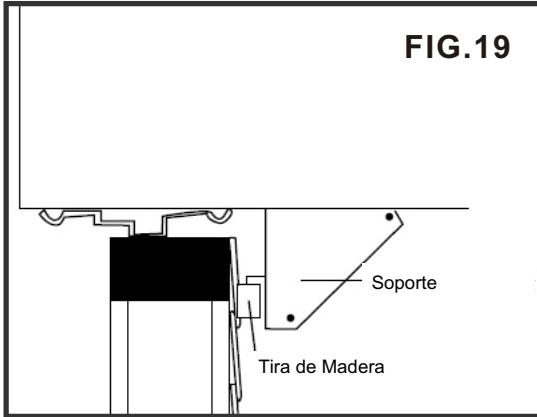


- Fije el riel inferior al bastidor de madera con dos tornillos grandes de madera de 1 "(2.5 cm) de largo, como se muestra a continuación.

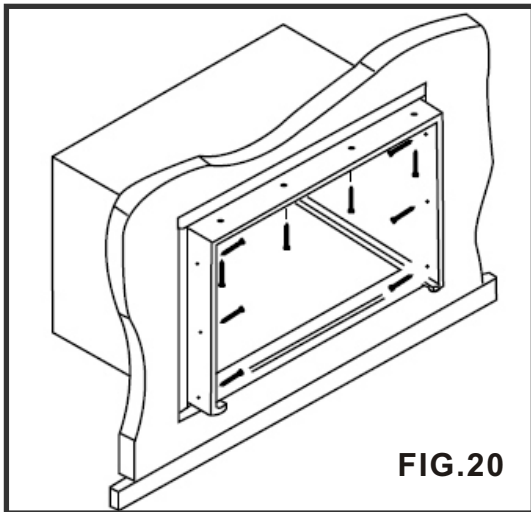


MONTAJE Y INSTALACIÓN A TRAVÉS DE LA PARED (CONT.)

Consulte el ensamblaje del soporte de soporte en la sección de montaje de la ventana para ensamblar los soportes de soporte. Una tira de madera clavada a la pared exterior se debe utilizar conjuntamente con los soportes angulares de la ayuda del travesaño.



5. Atornille o enclave el gabinete en el marco de madera usando cuñas si el armazón está sobredimensionado, para eliminar posibles ruidos. Recuerde mantener la pendiente apropiada para la eliminación del agua.



6. Instale el chasis en el gabinete siguiendo los pasos descritos en la sección de montaje de la ventana.

Opcional: El calafateo y la instalación del guarnecido en la pared interior pueden hacerse si se desea. Calafatee las aberturas alrededor de la parte superior y los lados del gabinete y todos los lados del manguito de madera hasta la abertura.

Nota: Vea las Instrucciones de Montaje de la ventana para la ubicación del sello del riel inferior.

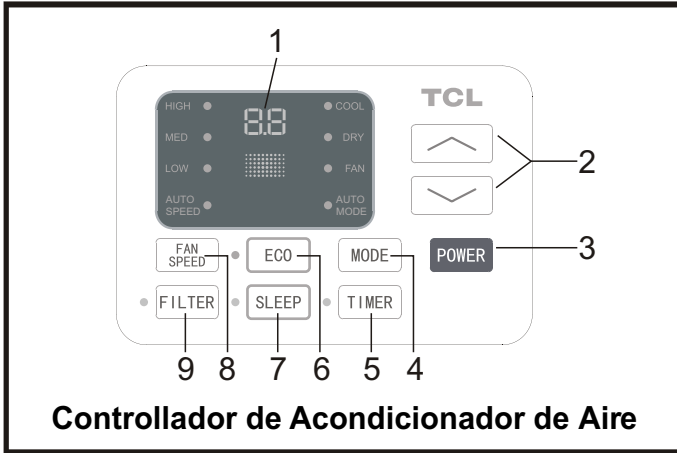
Construcción de Mampostería

1. Corte o construya una abertura de pared en la pared de mampostería similar a la construcción del armazón (consulte la instalación a través de la pared para un espesor de pared superior a 8 1/2 ").
2. Asegure el gabinete en su lugar usando clavos de mampostería o tornillos de anclaje de mampostería. O, construya un marco usando las instrucciones que se encuentran en la sección de instalación a través de la pared.
3. Asegúrese de que la mampostería sobre el gabinete esté bien apoyada. Utilice los orificios existentes en el gabinete o los orificios taladrados adicionales para fijar el gabinete en varias posiciones.
4. Instale los soportes del gabinete exterior de acuerdo con las instrucciones de instalación del soporte de soporte en la sección de instalación a través de la pared. Calafatee o destellar con aluminio si es necesario. Esto proporcionará un sello hermético alrededor de la parte superior y los lados del gabinete.
5. Para una instalación más agradable estéticamente, aplique molduras de madera alrededor de los lados del gabinete sin obstruir las persianas laterales.

USANDO SU ACONDICIONADOR DE AIRE

Panel de control electrónico y control remoto

Nota: Esta pantalla muestra siempre la temperatura ambiente en el modo de ventilador, excepto cuando se ajusta la temperatura programada o el cronometrador.



Sonidos normales de funcionamiento

- Usted puede escuchar un ruido de golpeteo causado por el agua que golpea el condensador, en días lluviosos, o cuando la humedad es alta. Esta característica de diseño ayuda a eliminar la humedad y mejorar la eficiencia.
- Usted puede oír el chasquido del termostato cuando el compresor se enciende y se apaga.
- El agua se acumulará en la bandeja base durante la lluvia o días de alta humedad. El agua puede rebosar y gotear de la parte exterior de la unidad.
- El ventilador puede funcionar incluso cuando el compresor no está encendido.

1. **Pantalla digital:** sin ajuste del temporizador, el modo de operación se está enfriando, seco, ventilador y auto, y se mostrará la temperatura establecida. El tiempo se demostrará en el ajuste del cronometrador.
2. **Botón de \wedge o \vee :** Utilice estos botones en el panel de control y el control remoto para aumentar o disminuir la temperatura de ajuste o el cronometrador. Alcance de temperaturas: 61°F-88°F o 16°C ~ 31°C.
3. **Botón de Encendido:** Encienda y apague el acondicionador de aire.
4. **Botón MODO:** Presione el botón MODO para recorrer los diferentes modos: enfriar, secar, ventilador y auto.

Modo de Enfriar: la función de enfriamiento permite que el acondicionador de aire enfríe la habitación y al mismo tiempo reduce el humidificador de aire. Pulse el botón MODE para activar la función de refrigeración. Para optimizar la función del acondicionador de aire, ajuste la temperatura y la velocidad presionando el botón indicado.

Modo de Secar: Esta función reduce la humedad del aire para hacer el cuarto más cómodo. Pulse el botón MODO para ajustar el modo de Secar. Una función automática de alternar ciclos de enfriamiento y ventilador de aire se activa.

Modo de Ventilador: el acondicionador funciona sólo en ventilación. Pulse el botón MODE para ajustar el modo Fan. Con presionar el botón de velocidad del ventilador la velocidad cambia en la secuencia siguiente: Hola, Med y lo en el modo de ventilador. El control remoto también narra la velocidad que se estableció en el modo de operación anterior.

Modo de Auto: En el modo automático, la unidad elige automáticamente la velocidad del ventilador y el modo de funcionamiento (enfriar, secar o ventilador). En este modo la velocidad del ventilador y la temperatura se ajustan automáticamente según la temperatura ambiente (probada por el sensor de temperatura que se incorpora en la unidad interior.).

5. **Botón de Cronometrador:** Utilice estos botones en el panel de control y el mando a distancia para ajustar el Cronometrador. Cronometrador apagado: la parada temporizada se programa pulsando el botón de Cronometrador. Ajuste el tiempo de descanso pulsando el botón de " \wedge " o " \vee " hasta que el tiempo de descanso mostrado sea su demanda y luego presione el botón Cronometrador nuevamente.

Cronometrador encendido: cuando la unidad está apagada, presione el botón de Cronometrador en la primera vez, ajuste la temperatura presionando el botón de " \wedge " o " \vee ". Pulse el botón de Cronometrador en la segunda vez, ajuste el tiempo de reposo pulsando el botón de " \wedge " o " \vee ". Presione el botón del contador de tiempo en la tercera vez, confirme el ajuste, después el tiempo de descanso a la conmutación automática siguiente se podría leer en la exhibición de la máquina.

Nota: puede ajustarse para que se apague o encienda automáticamente en 0.5-24 horas. Cada vez que se presionan los botones de " \wedge " " \vee " aumentará o disminuirá el cronometrador. El cronometrador puede ajustarse en un incremento de 0.5 horas por debajo de 10 horas y un incremento de 1 hora durante 10 horas o más. La luz de ajuste se encenderá durante el ajuste. Para cancelar la función programada, pulse de nuevo el botón Timer

USANDO SU ACONDICIONADOR DE AIRE

Panel de control electrónico y control remoto

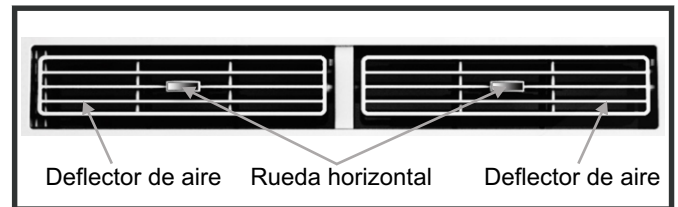
7. **Botón de ECO:** Lorsque le climatiseur est en mode ECO, le voyant s'illuminera. En mode ECO, l'appareil s'arrêtera une fois que la température de la pièce atteint la température réglée; le ventilateur s'arrêtera également. L'appareil se remettra en marche une fois que la température ambiante sera plus élevée que le réglage de température. Avant que le compresseur ne se mette en marche, le moteur du ventilateur fonctionnera pendant un certain temps, puis s'arrêtera. Il fonctionnera ainsi de façon intermittente pour plus de confort et pour une économie d'énergie.

7. **Botón del Sleep:** Presione el botón del Sleep, la luz del sueño estará encendido después de 10s, y todas las luces izquierdas estarán apagadas. En el modo de Sleep, el acondicionador de aire ajustará automáticamente la temperatura y la velocidad del ventilador para que la habitación se sienta más cómoda durante la noche. La temperatura ajustada aumentará automáticamente 1 °C cada 30-60 minutos y a lo sumo cambiará seis veces hasta que la temperatura ajustada sea 28 °C. Y cada tiempo de funcionamiento depende de la temperatura fijada.

8. **Botón de Velocidad del Ventilador:** Presione el botón de velocidad del ventilador para elegir las opciones de velocidad del ventilador. Usted puede elegir la velocidad de Alta, Media, Baja o Auto en el modo de Enfriar y elegir Alta, Media, Baja en el modo de ventilador.

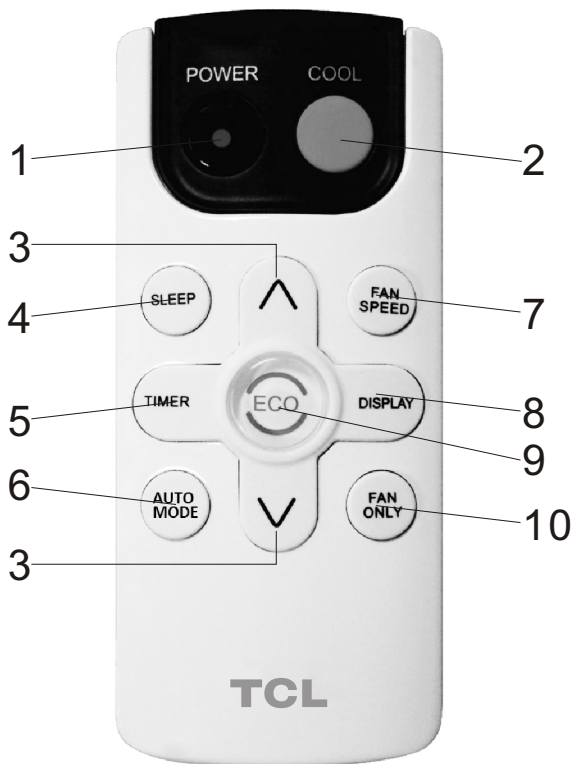
9. **Botón Filtro:** Cuando la luz de verificación del filtro está apagada, es inútil presionar el botón de verificación del filtro. Cuando la luz de verificación del filtro está encendida, puede apagar la luz presionando el botón de verificación del filtro. Después de que el motor del ventilador funcione durante 500 horas totales, la luz de verificación del filtro se encenderá para recordar al usuario que debe limpiar el filtro.

10. **Persianas Direccionales:** Para dirigir el flujo de aire, rueda horizontal para controlar la dirección horizontal, el deflector aéreo para controlar la dirección vertical.



Funcionamiento del Acondicionador de Aire

Control Remoto



1. **Encendido:** Encienda y apague el acondicionador de aire.

2. **Enfriar:** Presione el botón de Enfriar para enfriar el modo.

3. **▲y▼:** Utilice estos botones en el panel de control y el control remoto para aumentar o disminuir la temperatura de ajuste o el cronometrador.
Gama de temperaturas: 61°F-88°F o 16°C ~ 31°C.

4. **Sleep:** Presione el botón de Sleep, la luz de Sleep estará encendido después de 10s, y todas las luces izquierdas estarán apagadas. En el modo de reposo, el acondicionador de aire ajustará automáticamente la temperatura y la velocidad del ventilador para que la habitación se sienta más cómoda durante la noche. La temperatura ajustada aumentará automáticamente 1 °C cada 30-60 minutos y a lo más cambios de seis veces hasta que la temperatura ajustada sea 28 °C. Y cada tiempo de funcionamiento depende de la temperatura fijada.

5. **Cronometrador:** Utilice estos botones en el panel de control y el control remoto para ajustar el cronometrador.
Cronometrador apagado: la parada temporizada se programa pulsando el botón Cronometrador. Ajuste el tiempo de descanso pulsando el botón "▲" o "▼" hasta que el tiempo de descanso mostrado sea su demanda y luego presione el botón de Cronometrador nuevamente.

Cronometrador encendido: cuando la unidad está apagada, presione el botón de Cronometrador en la primera vez, ajuste la temperatura presionando el botón "▲" o "▼". Pulse el botón de Cronometrador en la segunda vez, ajuste el tiempo de reposo pulsando el botón "▲" o "▼". Presione el botón del contador de tiempo en la tercera vez, confirme el ajuste, después el tiempo de descanso a la conmutación automática siguiente se podría leer en la exhibición de la máquina.

Nota: puede ajustarse para que se apague o encienda automáticamente en 0,5-24 horas. Cada vez que se presionan los botones "▲" "▼", se aumentará o se disminuirá la hora. El Cronometrador puede ajustarse en un incremento de 0.5 horas por debajo de 10 horas y un incremento de 1 hora durante 10 horas o más. La luz de ajuste se encenderá durante el ajuste. Para cancelar la función programada, pulse de nuevo el botón de Cronometrador.

6. **Modo de Auto:** en el modo de Auto, la unidad elige automáticamente la velocidad del ventilador y el modo de funcionamiento (Enfriar, secar o ventilador). En este modo la velocidad del ventilador y la temperatura se ajustan automáticamente según la temperatura ambiente (probada por el sensor de temperatura que se incorpora en la unidad interior.).

7. **Velocidad del ventilador:** Presione el botón de velocidad del ventilador para elegir las opciones de velocidad del ventilador. Usted puede elegir Alta, Media, Baja o la velocidad automática en modo de Enfriar y elige Alta, Media, Baja en modo del Ventilador.

8. **Exhibir:** Para presionar el botón de la exhibición, puede apagar/en todas las luces o la exhibición de LED.

9. **ECO:** Lorsque le climatiseur est en mode ECO, le voyant s'illuminera. En mode ECO, l'appareil s'arrêtera une fois que la température de la pièce atteint la température réglée; le ventilateur s'arrêtera également. L'appareil se remettra en marche une fois que la température ambiante sera plus élevée que le réglage de température. Avant que le compresseur ne se mette en marche, le moteur du ventilateur fonctionnera pendant un certain temps, puis s'arrêtera. Il fonctionnera ainsi de façon intermittente pour plus de confort et pour une économie d'énergie.

10. **Sólo Ventilador:** Presione el botón de Sólo Ventilador al modo del ventiador.

Tamaño de la batería: AAA-Nota: no mezcle baterías viejas y nuevas o diferentes tipos de baterías AAA.

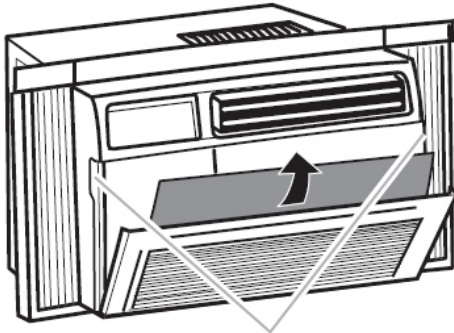
Cuidado y Limpieza

Limpie su acondicionador de aire para mantenerlo buscando nuevo y para minimizar la acumulación de polvo.

Limpieza del Filtro de Aire

El filtro de aire debe ser revisado por lo menos una vez cada mes para ver si necesita limpieza. Las partículas atrapadas y el polvo pueden acumularse en el filtro y pueden disminuir el flujo de aire, así como hacer que las bobinas de enfriamiento acumulen escarcha.

1. Retire el filtro tirando de las muescas de la puerta del filtro en la parte delantera de la unidad. (Ver FIG. 21)
2. Lave el filtro usando jabón líquido para platos y agua tibia. Enjuague bien el filtro. Agite suavemente el filtro para eliminar el exceso de agua.
3. Deje que el filtro se seque completamente antes de colocarlo en el acondicionador de aire.
4. Si no desea lavar el filtro, puede aspirar el filtro para eliminar el polvo y otras partículas.



A
A. Mellas

FIG.21

Desgaste

Para minimizar el desgaste del acondicionador de aire, siempre espere por lo menos 3 minutos antes de cambiar los modos. Esto ayudará a evitar que el compresor se recaliente y el disyuntor se tropiece.

Limpieza de Gabinetes

Para limpiar el gabinete del acondicionador de aire:

- Desconecte el acondicionador de aire para evitar un choque o un riesgo de incendio. El gabinete y el panel frontal del acondicionador de aire pueden ser espolvoreados con un paño sin aceite o lavados con un paño humedecido en una solución de agua tibia y jabón líquido suave. Enjuague bien con un trapo húmedo y séquelo.
- Nunca use limpiadores ásperos, cera o pulimento en el frente del gabinete.
- Asegúrese de exprimir el exceso de agua del paño antes de limpiarlo alrededor de los controles. El exceso de agua dentro o alrededor de los controles puede causar daños al acondicionador de aire.

Winter Storage Almacenaje en Invierno

Para guardar el acondicionador de aire cuando no esté en uso durante un período prolongado de tiempo, extráigalo cuidadosamente de la ventana de acuerdo con las instrucciones de instalación y cúbrala con plástico o colóquelo en la caja original.

SOLUCIÓN A PROBLEMAS

PROBLEMA	CAUSAS POSIBLES	SOLUCIONES
El acondicionador de aire no se enciende.	El acondicionador de aire está desenchufado	<ul style="list-style-type: none"> • Cerciórese de que el acondicionador de aire sea enchufe se empuja completamente en el enchufe.
	El fusible está fundido/el disyuntor se dispara.	<ul style="list-style-type: none"> • Revise la caja de fusibles/disyuntores de la casa y reemplace el fusible o restablezca el disyuntor.
	Desconexión de encendido	<ul style="list-style-type: none"> • La unidad volverá a arrancar automáticamente cuando se restablezca la energía. • Hay un retraso de tiempo de protección (aprox. 3 minutos) para evitar el tropiezo de la sobrecarga del compresor. Por esta razón, es posible que la unidad no inicie la refrigeración normal durante 3 minutos después de volver a encenderla.
	El dispositivo de interrupción actual se dispara.	<ul style="list-style-type: none"> • IPresione el botón de REINICIAR ubicado en el enchufe del cable de alimentación. • Si el botón de Reiniciar no permanecerá activado, deje de usar el acondicionador de aire y póngase en contacto con un técnico de servicio calificado.
El acondicionador de aire no enfría como debe ser.	El flujo de aire está restringido.	<ul style="list-style-type: none"> • Asegúrese de que no haya cortinas, persianas o muebles que bloqueen la parte frontal del acondicionador de aire.
	El control de la temperatura no se puede fijar correctamente.	<ul style="list-style-type: none"> • Baje la temperatura ajustada del termostato.
	El filtro de aire está sucio.	<ul style="list-style-type: none"> • Limpie el filtro. Consulte la sección de limpieza y cuidado en el manual.
	La habitación puede ser demasiado caliente.	<ul style="list-style-type: none"> • Por favor deje que la habitación se enfríe después de encender el acondicionador de aire.
	El aire frío se escapa.	<ul style="list-style-type: none"> • Comprobar los registros de hornos abiertos y las devoluciones de aire frío.
	Las bobinas de enfriamiento se congelan.	<ul style="list-style-type: none"> • Ver "el Acondicionador de Aire se está congelando".
El acondicionador de aire se está congelando.	El hielo bloquea el flujo de aire y detiene el aire acondicionado de enfriar la habitación	<ul style="list-style-type: none"> • Fije el modo al ventilador alto o alto refresquese y fije el termostato a una temperatura más alta.
El Control remoto no funciona.	Las baterías se colocan incorrectamente. Las baterías pueden estar muertas incorrectly.	<ul style="list-style-type: none"> • Compruebe la posición de las pilas. • Reemplace las baterías.

SOLUCIÓN A PROBLEMAS

PROBLEMA	CAUSAS POSIBLES	SOLUCIONES
El agua está goteando afuera.	Clima cálido y húmedo.	<ul style="list-style-type: none">• Esto es normal.
El agua está goteando dentro de la habitación.	El acondicionador de aire no está correctamente inclinado hacia afuera.	<ul style="list-style-type: none">• Para un drenaje adecuado del agua, asegúrese de que el acondicionador de aire esté ligeramente inclinado hacia abajo desde la parte delantera de la unidad hacia atrás.
El agua recoge en la bandeja de la base.	La humedad quitada del aire está drenando en la cacerola de la base.	<ul style="list-style-type: none">• Esto es normal por un período corto en áreas con baja humedad y normal durante un período más largo en áreas con alta humedad.
Se puede leer "E1", "E2" en la pantalla digital.	Un sensor ha fallado.	<ul style="list-style-type: none">• Contacte con servicio al cliente,



Esta instrucción tiene un formato alternativo y se puede obtener de la página web: <http://tclusa.com>

TCL

Modèles

TWC-15CR/UH (ES)

TWC-18CR2/UH (ES)

TWC-22CR2/UH (ES)

TWC-24CR2/UH (ES)

Climatiseur à fenêtre électronique

Manuel des Opérations



PREAMBULE

INSTRUCTION IMPORTANTE DE SÉCURITÉ.....	1
EXIGENCES ÉLECTRIQUES.....	2
LISTE D'EMBALLAGE	3
INSTRUCTIONS D'INSTALLATION ET D'ASSEMBLAGE.....	4
UTILISATION DE VOTRE CONDITIONNEUR D'AIR	13
FONCTIONNEMENT DE VOTRE CONDITIONNEUR D'AIR.....	15
ENTRETIEN ET NETTOYAGE.....	16
DÉPANNAGE.....	17

INSTRUCTION IMPORTANTE DE SÉCURITÉ

Avant d'installer et d'utiliser votre climatiseur, s'il vous plaît lire attentivement ce manuel. Conservez ce manuel dans un endroit sûr pour référence ultérieure. Votre sécurité et la sécurité d'autrui sont très importantes pour nous. S'il vous plaît payer attention à tous les messages de sécurité décrits dans ce manuel du propriétaire.

AVERTISSEMENT: Pour réduire le risque d'incendie, de choc électrique ou de blessures lors de l'utilisation de votre climatiseur, suivez les précautions de base suivantes.

- Brancher la prise de terre à 3 broches.
- Ne retirez pas la broche de terre.
- N'utilisez pas l'adaptateur secteur
- N'utilisez pas une rallonge.
- Débrancher le climatiseur avant l'entretien
- Utiliser deux personnes ou plus pour déplacer et installer le climatiseur



Il s'agit d'un symbole d'alerte de sécurité.

Ce symbole vous informe des dangers potentiels qui peuvent nuire à vous ou à d'autres personnes, voire causer la mort.

Tous les messages de sécurité suivront directement le symbole d'alerte de sécurité et / ou les mots "DANGER" ou "WARNING".



PELIGRO



ADVERTENCIA

Le fait de ne pas suivre immédiatement ces instructions peut causer des blessures graves ou même la mort.

Tous les messages de sécurité vous alertent sur les dangers potentiels, la façon de réduire les risques de blessures et ce qui peut arriver si les instructions ne sont pas suivies correctement.

EXIGENCES ÉLECTRIQUES

⚠ ADVERTENCIA



Peligro descarga eléctrica

Enchufe a un tomacorriente de tres extremidades con salida a tierra.

No retire la extremidad de conexión a tierra.

No utilice un adaptador.

No utilice un cable de extensión.

Si no se sigue estas instrucciones, se podría causar lesiones graves o hasta la muerte.

Les cotes électriques de votre climatiseur sont indiquées sur le modèle e l'étiquette du numéro de série situé sur le côté avant gauche de l'appareil (face à l'avant).

Les exigences électriques spécifiques sont listées dans le tableau ci - dessous. Suivez les exigences ci - dessous pour le type de fiche du cordon d'alimentation.

Cordon d'alimentation

15K



18K/22K/24K



Méthode de la mise à la terre recommandée

Pour votre sécurité personnelle, ce climatiseur doit être mis à la terre. Cet appareil de climatisation est équipé d'un cordon d'alimentation à 3 broches avec prise de terre. Pour minimiser la possibilité de choc électrique, le cordon doit être branché sur une prise à 3 broches et mis à la terre conformément à tous les codes et ordonnances locaux. Si une sortie à 3 broches n'est pas disponible, il incombe au client d'avoir une prise à 3 broches correctement connectée par un électricien qualifié.

C'est la responsabilité du client:

- Contacter un électricien qualifié.
- Pour assurer que l'installation électrique est adéquate et conforme au National Electrical Code, ANSI / NFPA 70- dernière édition, et tous les codes et ordonnances locaux.

Des exemplaires des normes énumérées peuvent être obtenus auprès de:

Association de protection nationale contre les incendies
Un parc Batterymarch
Quincy, Massachusetts 02269

Cordon et fiche d'alimentation LCDI

Ce climatiseur est équipé d'un cordon d'alimentation LCDI (détection et interrompre de courant de fuite) requis par UL. Ce cordon d'alimentation contient de l'électronique de pointe qui détecte le courant de fuite. Si le cordon est endommagé et que des fuites se produisent, l'alimentation sera déconnectée de l'appareil.

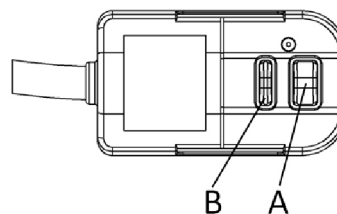
Les boutons de test et de réinitialisation de la prise LCDI sont utilisés pour vérifier si la fiche fonctionne correctement. Pour tester la prise:

1. Brancher le cordon d'alimentation dans une prise de terre à 3 broches.
2. Appuyer RESET (sur certaines unités, un voyant vert s'allume).
3. Appuyer le bouton TEST, le circuit doit déclencher et couper toute l'alimentation du climatiseur (sur certaines unités, un feu vert peut s'éteindre).
4. Appuyer le bouton RESET pour l'utiliser. Vous entendrez un clic et l'A/C n'est pas prêt à l'utilisation.

REMARQUES:

- Le bouton RESET doit être activé pour une utilisation correcte.
- Le cordon d'alimentation doit être remplacé s'il ne parvient pas à déclencher lorsque vous appuyer la touche TEST et que l'appareil ne réinitialise pas.
- N'utilisez pas le cordon d'alimentation comme interrupteur ON/OFF. Le cordon d'alimentation est conçu comme un dispositif de protection.
- Un cordon d'alimentation endommagé doit être remplacé par un nouveau cordon d'alimentation.
- Le cordon d'alimentation contient de nouvelles pièces pouvant être réparées par l'utilisateur. L'ouverture du boîtier inviolable annule toutes les garanties et les réclamations de performance.


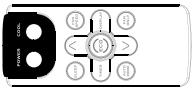
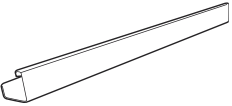
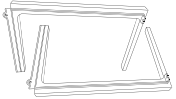


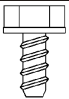





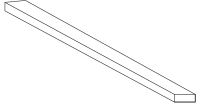
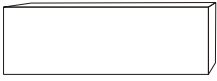
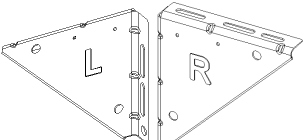
REMARQUE: Le cordon d'alimentation et la fiche de votre appareil peuvent différer de celle affichée.



A. Reset button

B. Test button

LISTA DE EMPAQUE

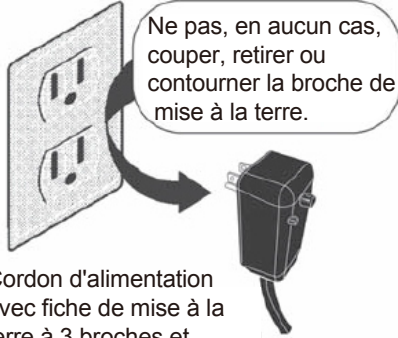
IMAGE	PARTIE	QUANTITÉ
	Climatiseur à fenêtre	1
	Télécommande	1
	Rail de montage supérieur (avec éponge)	1
	Panneaux de remplissage (avec la remarque "Gauche" et "Droite" sur la face avant)	2
	Sash Lock (deux trous)	1
	Sceau de fenêtre (Sponge)	1
	5/16" Vis à tête hexagonale longue	10
	5/8" Vis à tête hexagonale longue	4
	1/2" Vis à tête hexagonale longue	2
	5/8" Boulon à tête plate longue et contreécrou	2ea
	Sill Angel Support	2
	1/2" Boulon à tête plate longue et contreécrou	4ea
	Joint d'étanchéité	2
	Joint de fenêtre en mousse (éponge mince pour sauvegarde en utilisant)	1
	Bande isolante (éponge)	2
	Support Bracket (avec remarque R et L)	2

DECLARATION

TOUTES LES INFORMATIONS ET LES SPÉCIFICATIONS TECHNIQUES PRESENTES DANS LE MANUEL DE L'UTILISATEUR SONT LA PRÉSENTATION DU FABRICANT.

⚠ WARNING Évitez les risques d'incendie ou d'électrocution. N'utilisez pas de rallonge ou de prise d'adaptateur. Ne retirez pas les doigts du cordon d'alimentation.

Prise murale au mur mise à la terre



Ne pas, en aucun cas, couper, retirer ou contourner la broche de mise à la terre.

Cordon d'alimentation avec fiche de mise à la terre à 3 broches et dispositif de détection de courant.

INSTRUCTIONS D'INSTALLATION ET D'ASSEMBLAGE

Préparation de fenêtre

S'il vous plaît lire toutes les instructions avant d'installer votre climatiseur. Deux personnes sont invitées à installer ce produit. Si une nouvelle prise électrique est requise, la sortie doit être installée par un électricien qualifié avant d'installer l'appareil.

Avant d'installer l'appareil, vérifiez les dimensions de votre fenêtre pour vous assurer que le climatiseur sera adapté. Cette unité est conçue pour s'adapter à une fenêtre standard à double accrochage. Assurez-vous que la fenêtre est en bonne forme et capable de maintenir fermement les vis nécessaires. Sinon, effectuez des réparations avant d'installer l'appareil.

Modèle	15K/18K	22K/24K
Hauteur unitaire (pouces)	17.91	18.625
Largeur de l'unité (pouces)	23.625	26.50
Min. Ouverture de la fenêtre (voir FIG 1) (pouces)	19.00	19.50
Min. Largeur de fenêtre (pouces)	28.00	30.00
Largeur maximale de la fenêtre (pouces)	41.00	41.00

Exigences de la fenêtre de tempête

Un cadre de fenêtre anti tempête ne permettra pas au climatiseur de s'incliner correctement, ce qui lui empêchera de s'écouler correctement. Pour régler cela, attachez une planche ou un morceau de bois au seuil. Le panneau ou la pièce en bois doit avoir une profondeur d'au moins 1/2 ". Assurez vous que la planche ou le morceau de bois est d'environ 1/2" plus haut que le cadre de la fenêtre de tempête. Cela permettra au climatiseur de s'incliner suffisamment pour un drainage correct. (15K / 18K Voir FIG.1 / FIG.2; 22K / 24K Voir FIG.3 / FIG.4)

FIG.1

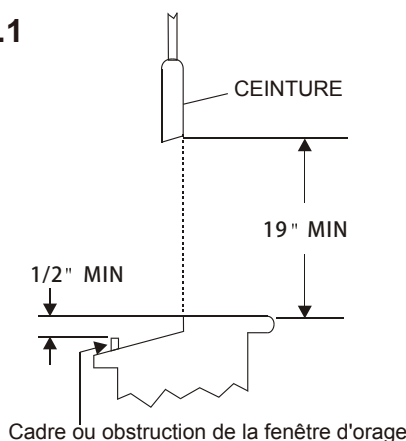
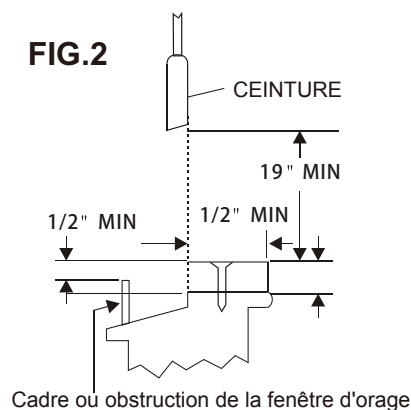


FIG.2



Le panneau ou la pièce en bois doit être d'environ 1/2" plus haut que le cadre de la fenêtre d'orage pour le drainage correct.

FIG.3

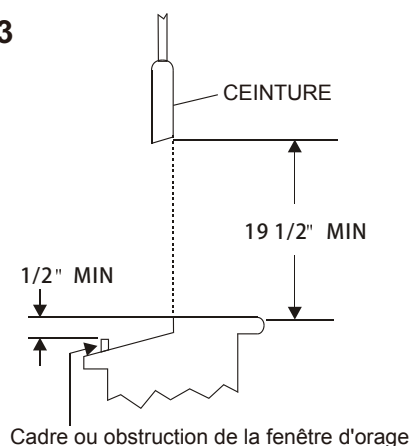
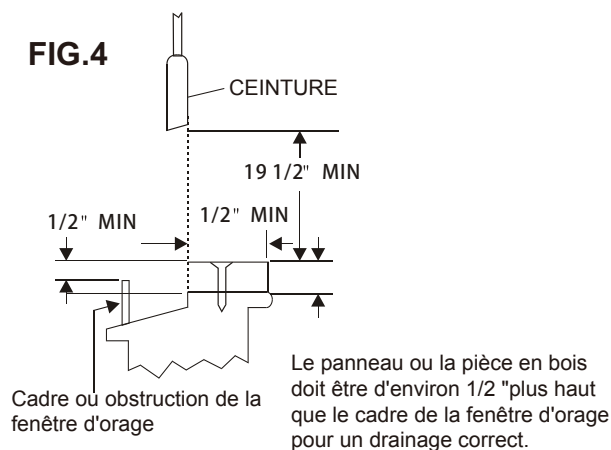


FIG.4



Le panneau ou la pièce en bois doit être d'environ 1/2" plus haut que le cadre de la fenêtre d'orage pour un drainage correct.

Avant d'installer le climatiseur

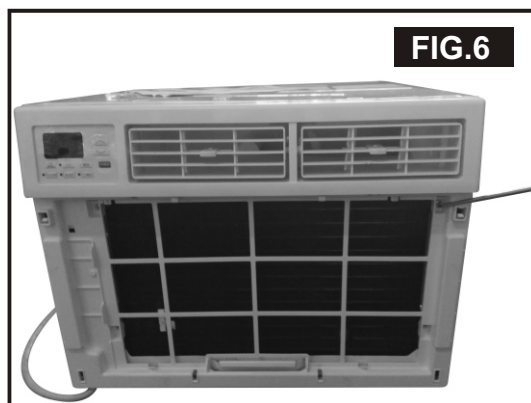
1. Vérifier tout ce qui pourrait bloquer le flux d'air. Vérifier la zone située à l'extérieur de la fenêtre pour des choses telles que des arbustes, des arbres ou des auvents. Vérifier la zone intérieure pour vous assurer que les rideaux, rideaux ou stores empêchent le flux d'air approprié.
2. Vérifier la prise électrique disponible. L'alimentation doit être identique à celle indiquée sur la plaque signalétique de l'unité (située sur le côté gauche de l'appareil, près de la façade avant. Assurer que la prise soit suffisamment proche pour que le cordon d'alimentation atteigne.
3. Déballez soigneusement le climatiseur. Retirez tout le matériel d'emballage et assurez que le sol est protégé lors de l'enlèvement. En raison de la grande taille de ce climatiseur, deux personnes devraient déplacer l'unité ensemble.

MISE EN GARDE

Lors de la manipulation de l'appareil, veillez à éviter les coupures des bords métalliques tranchants et des ailettes en aluminium sur les bobines avant et arrière.

INSTRUCTIONS D'INSTALLATION ET D'ASSEMBLAGE - MONTAGE DE FENÊTRE RETIRER LE CHASSIS

1. Tirer vers le bas du panneau avant et retirer le filtre (FIG.5 ci-dessous).
2. Soulevez le panneau avant vers le haut pour enlever et placer sur le côté.
3. Localiser les quatre vis de la plaque avant et retirez. Ces vis devront être réinstallées avant de monter le climatiseur (FIG.6 ci-dessous).

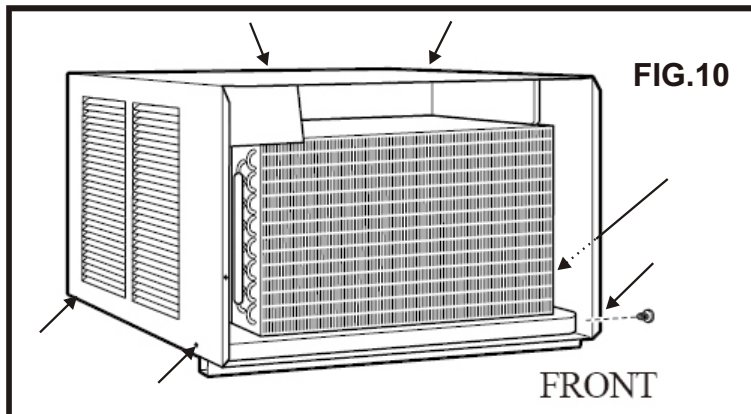


4. Après avoir retiré les vis, retirez délicatement la façade de l'armoire de conditionnement d'air (FIG.7 et 8).
5. Retirer les vis du panneau de commande du panneau avant (FIG.9)

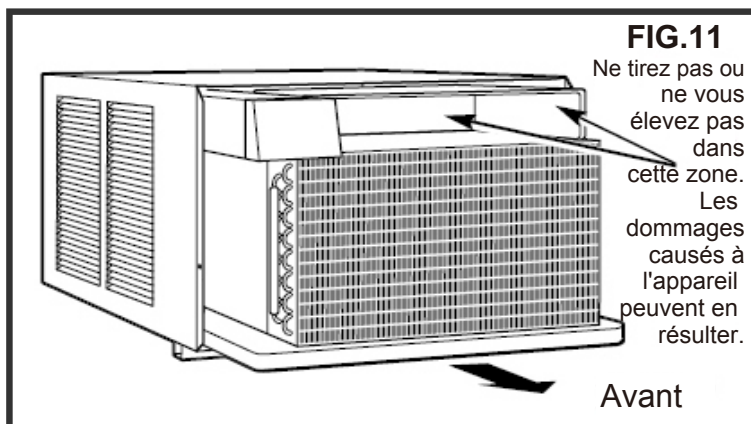


INSTRUCTIONS D'INSTALLATION ET D'ASSEMBLAGE - MONTAGE DE FENÊTRE RETIRER LE CHASSIS

6. Retirer les six vis de l'armoire (Chaque côté pour le haut, à gauche et à droite comporte deux vis.) (FIG.10).



7. Tenir l'armoire en tirant sur la poignée de base pour enlever soigneusement l'appareil. Ne tirez pas ou ne remontez pas près du haut de l'appareil (FIG.11).



8. Prendre le coton perlé pour 24K (FIG.12).

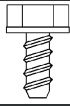



ASSEMBLAGE ET INSTALLATION (SUITE)

Installation de top rail et support latéral

Le top rail doit être assemblé avant d'installer le climatiseur dans la fenêtre.

Outils nécessaires: Tournevis cruciforme.

Top Rail Hardware		QTY
	5/16" Vis à tête hexagonale longue	4
	Top Rail	1

Fixation du top rail au climatiseur

1. Retirer le climatiseur de la boîte et placez-le sur une surface plate et dure.

2. Enlevez le top rail du fond du matériau d'emballage comme indiqué sur la FIG. A.

3. Fixer le rail de pointe à l'unité avec les vis 5/16" comme indiqué sur la FIG.B.

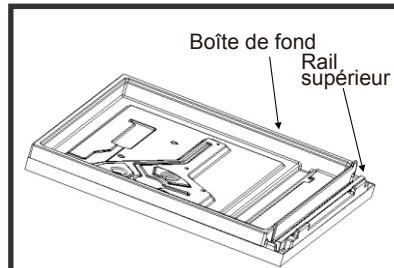


FIG. A

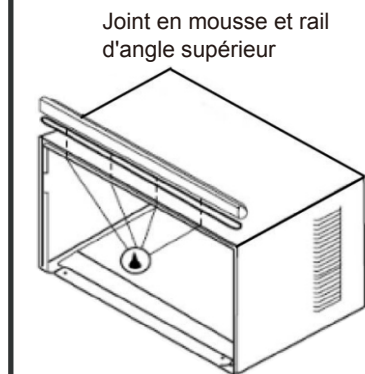
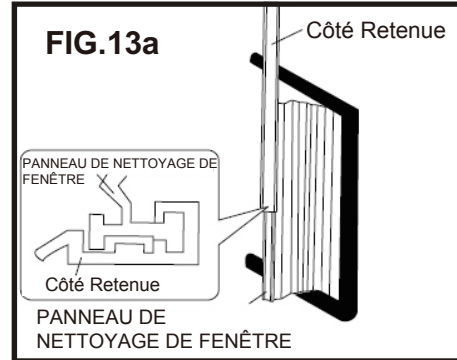


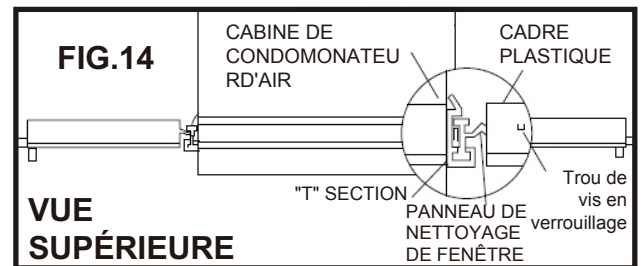
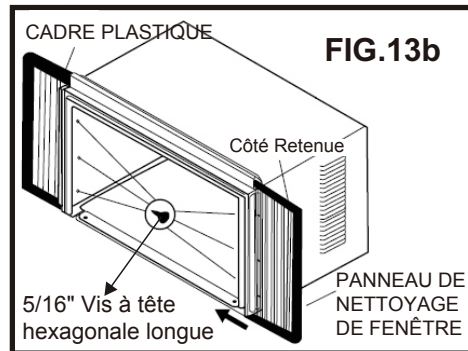
FIG. B

REMARQUE: pour des raisons de sécurité, toutes les 4 vis doivent être utilisées pour fixer le top rail.

5. Glisser la section "I" du panneau de fenêtre dans le support latéral de l'armoire (FIG.13a). Faites cela pour les deux côtés.

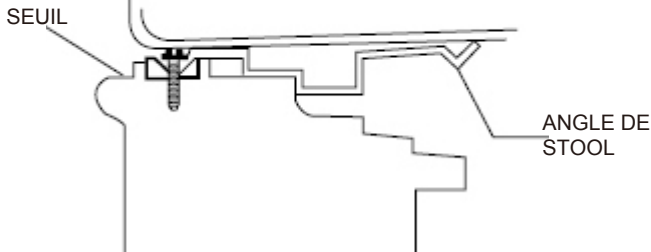


6. Insérer les pattes supérieure et inférieure du cadre du panneau de remplissage des fenêtres dans le canal dans l'angle supérieur et le rail inférieur. Faites les de ux côtés. Installez la retenue latérale sur l'armoire comme indiqué(FIG.13b-14).

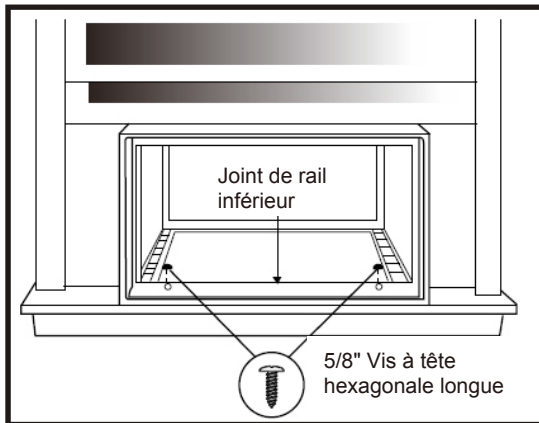


Placer le cabinet à l'intérieur de la fenêtre

- Ouvrir la fenêtre et placer l'armoire au milieu du seuil de la fenêtre.
- Assurer que le rail inférieur est assis sur le seuil de la fenêtre comme indiqué ci-dessous. Faites descendre la fenêtre temporairement derrière le rail d'angle supérieur pour maintenir l'armoire en place. **(Suggérer de garder un oblique vers le bas, laisser l'eau de pluie accumulée s'écouler, de l'arrière du fond de l'unité).**

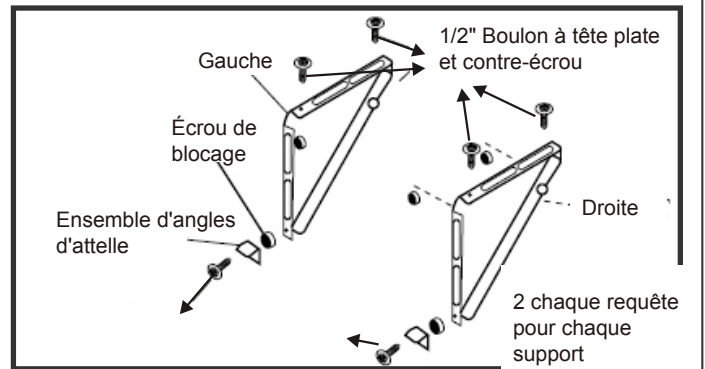
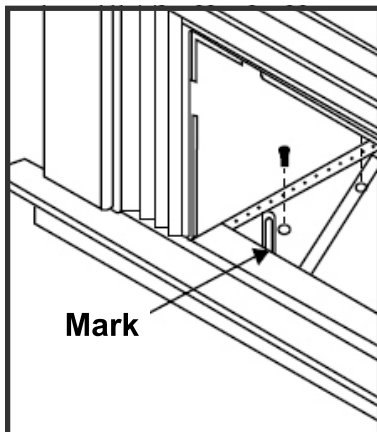


3. Fixer l'armoire au seuil de la fenêtre à l'aide de deux vis Round-Head 5/8". Pré-percez les trous si nécessaire. Ajoutez le joint de rail inférieur sur les vis. (Il doit être fixé sur le joint pour 22K/24K).

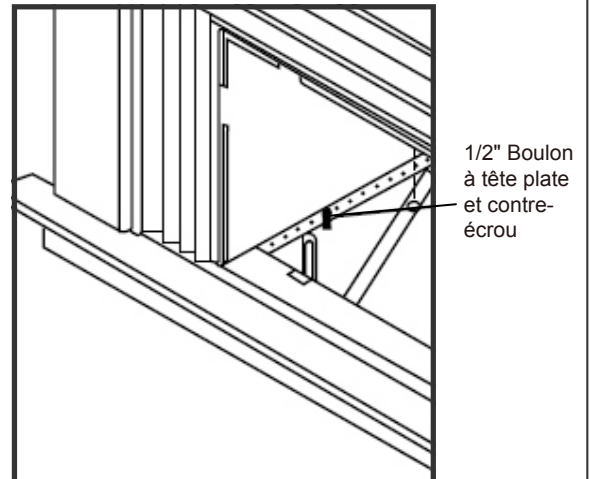


Installer les supports

1. Tenir chaque support de fixation à l'avant de l'extérieur du seuil de la fenêtre. Serrer chaque support au bas de l'armoire comme indiqué ci-dessous. Marquer les supports au levier supérieur du seuil de la fenêtre, puis retirez-les.

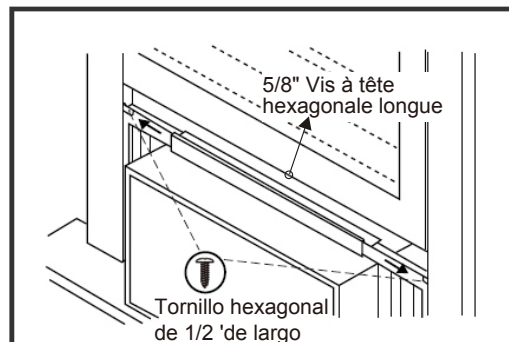


2. Assembler les supports angulaires du seuil aux supports de support à la position marquée comme indiqué ci-dessus. Serrez à la main, mais pas tout le chemin pour les modifications qui pourraient être nécessaires plus tard lors de l'installation.
3. Installer les supports (avec des supports angulaires attachés) au bas de l'armoire comme indiqué ci-dessous.
4. Serrer tous les 6 boulons de manière sécurisée.



Étendre les panneaux d'accordéon

1. Lèvez soigneusement la fenêtre pour exposer le panneau d'accordéon et le cadre du panneau. Desserrez les vis de blocage les panneaux d'accordéon glissent facilement.

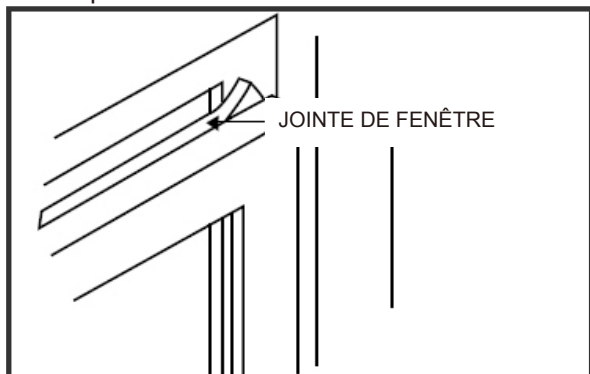


2. Étendre chaque panneau pour remplir complètement la largeur de la fenêtre. Serrez les vis de blocage lorsque les panneaux sont complètement étendus.

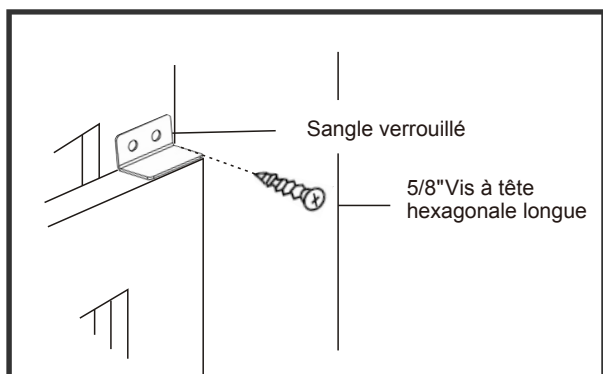
ASSEMBLAGE ET INSTALLATION (SUITE)

Installer le Verrouillage de Fenêtre et le Sash Sceau

1. Ajuster le joint de châssis à la largeur de la fenêtre. Insérer le joint de châssis dans l'espace entre les châssis supérieur et inférieur.



2. Fixer le verrouillage du châssis à angle droit comme indiqué ci-dessous.



Installation du châssis dans l'armoire

1. Élever l'équipe (deux personnes) du châssis du climatiseur et le faire glisser délicatement dans l'armoire. Laisser l'avant du climatiseur traîner environ 6".
2. **MISE EN GARDE:** NE PISSEZ PAS SUR LES COMMANDES OU LES BOBINES FINIES.
3. Assurer que le châssis est bien fixé à l'arrière de l'armoire.
4. Insérer toutes les vis retirées lors de l'installation de la fenêtre et relier la plaque frontale, le panneau avant et le filtre à air. Utilisez les instructions REMOVE CHASSIS et les figures 5-11 pour référence.

INSTALLATION DE THRU-THE-WALL

REMARQUE: Consulter les codes de construction locaux avant l'installation et/ou un charpentier qualifié.

Sélectionner l'emplacement du mur.

Ce climatiseur dispose d'un châssis coulissant, de sorte qu'il peut être installé à travers un mur extérieur tel que spécifié ci-dessous:

ÉPAISSEUR MAXIMALE: 8"

IMPORTANT: Les parois latérales ne doivent jamais être bloquées.

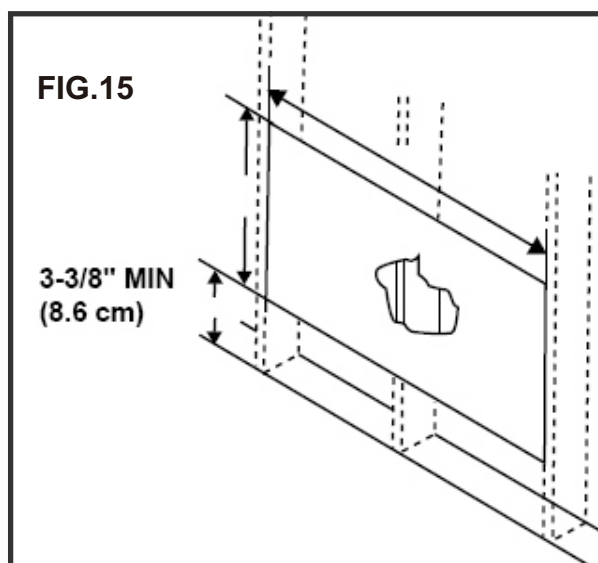
REMARQUE: Toutes les pièces nécessaires à l'installation de Thru-The-Wall sont fournies, à l'exception d'un châssis en bois, des cales et 10 vis à bois (10-1" minimum long).

Sélectionnez une surface murale qui:

1. Ne supporte pas les charges structurales majeures telles que la construction du châssis aux extrémités des fenêtres, et sous les points d'armature, etc.
2. N'a pas de plomberie ou de câblage à l'intérieur.
3. Est-ce qu'il se trouve près des prises électriques existantes, ou lorsqu'une autre sortie peut ou sera installée.
4. Les objets ne bloquent pas les bouches d'aération qui limitent le refroidissement.
5. Permet un flux d'air non bloqué de l'arrière et des côtés du climatiseur.

Préparer le mur

1. Préparer le mur dans la construction de châssis (y compris le placage de brique et de stuc). Travailler à partir de l'intérieur de la pièce, trouver le mur qui est le plus proche du centre de la zone d'installation.
2. Couper un trou de chaque côté du goujon central.
3. Mesurer entre les bords intérieurs de chaque autre goujon comme indiqué ci-dessous.



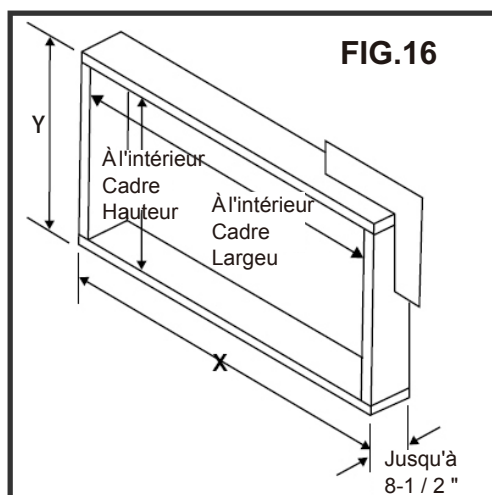
ASSEMBLAGE ET INSTALLATION-THRU-THE-WALL(SUITE)

Mesurer soigneusement et couper une ouverture avec les dimensions suivantes selon votre modèle.

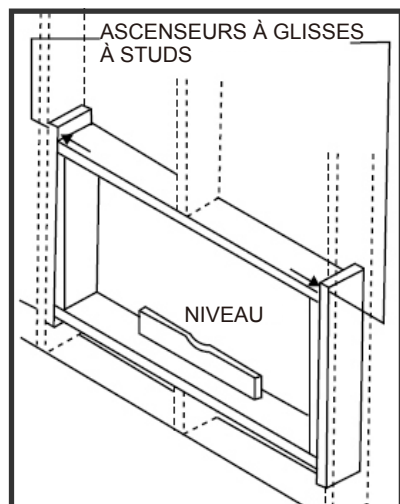
LARGEUR "X" = modèle intérieur plus deux fois l'épaisseur du matériau d'encadrement utilisé.

HAUTEUR "Y" = hauteur intérieure du modèle plus deux fois l'épaisseur du matériau d'encadrement utilisé.

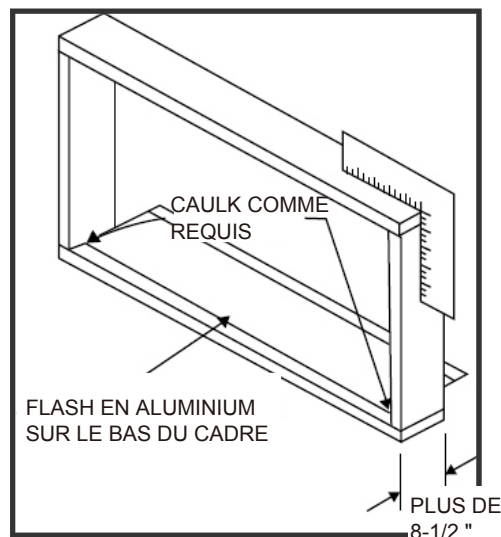
Modèle	15K/18K	22K/24K
Hauteur du cadre intérieur	18 1/4"(46.4 cm)	19 1/2"(49.5 cm)
Largeur du cadre intérieur	23 7/8"(60.6 cm)	26 9/10"(68.3 cm)



- Créer un cadre en bois avec les dimensions INTÉRIEURES de votre modèle ci-dessus (Mesurer deux fois). La profondeur du cadre doit être identique à l'épaisseur de la paroi. Remplissez un espace supplémentaire de l'ouverture aux goujons avec des entretoises en bois comme indiqué ci-dessous.
- Clouer les entretoises aux goujons. Ils devraient être alignés avec le mur sec..

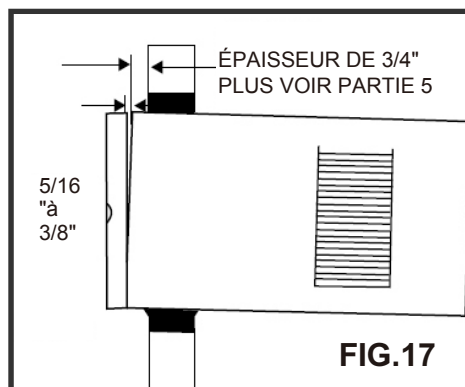


REMARQUE: Si l'épaisseur de la paroi est de 8-1/2 "ou plus, ajouter l'aluminium clignotant sur le bas de l'ouverture du cadre pour s'assurer que l'eau est incapable d'entrer dans la zone entre la paroi intérieure et extérieure.

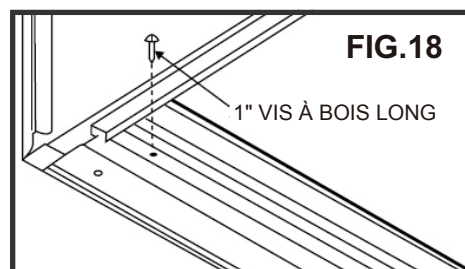


Préparer et installer l'armoire

- Glisser le châssis à partir de l'armoire. Reportez vous à (Page 6 et 7) dans la SECTION DE MONTAGE DE FENÊTRE.
- PlaceR l'armoire dans l'ouverture avec le rail inférieur reposant fermement sur la planche inférieure du cadre en bois.
- Locate l'armoire de sorte qu'elle soit incliné correctement pour l'élimination de l'eau comme on le voit ci-dessous.

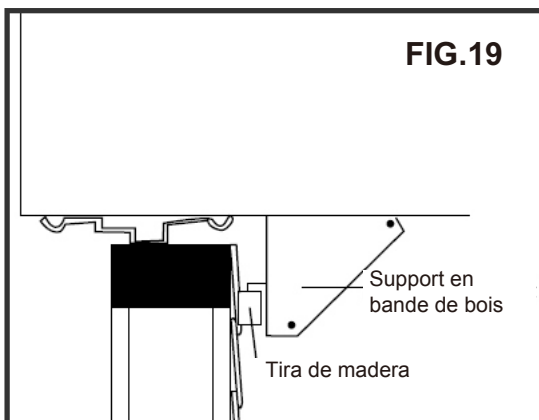


- Fixer le rail inférieur sur le cadre en bois avec deux grandes vis à bois de 1"(2.5 cm) de long, comme indiqué ci-dessous.

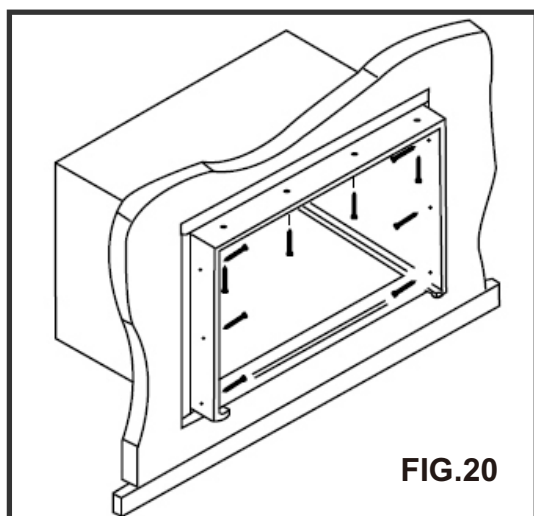


ASSEMBLAGE ET INSTALLATION-THRU-THE-WALL (SUITE)

Reportez-vous à l'ASSEMBLAGE DU SUPPORT dans la section FIXATION DE FENÊTRE pour assembler les supports. Une bande de bois clouée sur le mur extérieur doit être utilisée conjointement avec les supports angulaires du parement du seuil.



5. Visser ou clouer l'armoire sur le cadre en bois à l'aide de cales si le cadre est surdimensionné, pour éliminer les bruits possibles. N'oubliez pas de maintenir une inclinaison correcte pour l'élimination de l'eau.



6. Installer le châssis dans l'armoire en suivant les étapes décrites dans la section WINDOW MOUNTING.

OPTIONNEL: Le calfeutrage et l'installation de la garniture sur la paroi intérieure peuvent être effectués si désiré. Calfeutrez les ouvertures autour du haut et des côtés de l'armoire et de tous les côtés de la manche en bois jusqu'à l'ouverture.

REMARQUE: Consulter les instructions de FIXATION DE FENÊTRE pour l'emplacement du joint de rail inférieur.

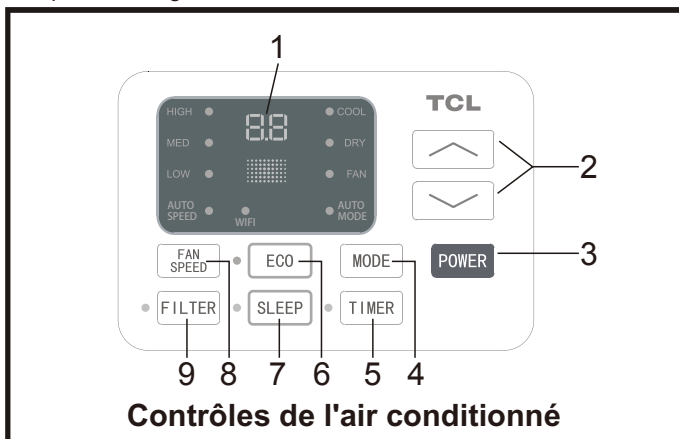
CONSTRUCTION DE MAÇONNERIE

1. Couper ou construire une ouverture de paroi dans la paroi de maçonnerie similaire à la construction du châssis (voir l'installation THRU-THE-WALL pour une épaisseur de paroi supérieure à 8 1/2 ").
2. Fixer l'armoire en place à l'aide de clous de maçonnerie ou de vis de maçonnerie. Ou, créez une image en utilisant les instructions de la section d'installation THRU-THE-WALL.
3. Assurer que la maçonnerie au-dessus de l'armoire est bien supportée. Utilisez les trous existants dans l'armoire ou des trous supplémentaires forés pour attacher l'armoire à diverses positions. Assurer que les volets latéraux ne contiennent aucune obstruction.
4. Installer les supports de l'armoire extérieure selon les instructions d'INSTALLATION DU SUPPORT dans la section d'installation de THRU-THE-WALL. Caulk ou flash avec de l'aluminium si nécessaire. Cela donnera un joint étanche sur le haut et les côtés de l'armoire.
5. Pour une installation plus esthétiquement agréable, appliquer un moulage en bois sur les côtés de l'armoire sans obstruer les parois latérales.

UTILISATION DE VOTRE CONDITIONNEUR D'AIR

Panneau de commande électronique et télécommande

REMARQUE: Cet affichage affiche toujours la température ambiante en mode Ventilateur, sauf lors du réglage de la température réglée ou de la minuterie.



Contrôles de l'air conditionné

Sons d'opération normaux

- Vous pouvez entendre un bruit de ping causé par l'eau qui frappe le condenseur, les jours pluvieux ou lorsque l'humidité est élevée. Cette fonction de conception permet d'éliminer l'humidité et d'améliorer l'efficacité.
- Vous pouvez entendre le contact du thermostat lorsque le compresseur s'allume ou s'éteint.
- L'eau se rassemblera dans le moule de base pendant la pluie ou les jours de forte humidité. L'eau peut déborder et goutter de l'extérieur de l'unité.
- Le ventilateur peut fonctionner même lorsque le compresseur n'est pas allumé.

1. **Affichage numérique:** sans réglage de la minuterie, le mode de fonctionnement est Cooling, Dry, Fan et Auto, et la température réglée s'affiche.

L'heure s'affiche sous le réglage de la minuterie.

2. **^ et v Bouton:** Utiliser ces boutons sur le panneau de commande et la télécommande pour augmenter ou diminuer la température réglée ou la minuterie.

Plage de température: 61°F ~ 88°F ou 16°C ~31°C.

3. **Bouton d'alimentation:** Allumez et éteignez le climatiseur.

4. **Bouton Mode:** Appuyer le bouton de mode pour parcourir les différents modes: Cool, Dry, Fan et Auto.

Cool Mode: La fonction de refroidissement permet au climatiseur de refroidir la pièce et, en même temps, réduit l'humidité de l'air. Appuyer la touche MODE pour activer la fonction de refroidissement. Pour optimiser la fonction du climatiseur, réglez la température et la vitesse en appuyant sur le bouton indiqué.

Dry Mode: Cette fonction réduit l'humidité de l'air pour rendre la pièce plus confortable. Appuyer le bouton MODE pour régler le mode DRY. Une fonction automatique des cycles de refroidissement alternatifs et du ventilateur est activée.

Fan Mode: Le conditionneur fonctionne uniquement en ventilation. Appuyer le bouton MODE pour régler le mode FAN. En appuyant sur la touche FAN SPEED, la vitesse change dans l'ordre suivant: Hi, Med et Lo en mode FAN. La télécommande indique également la vitesse réglée dans le mode de fonctionnement précédent.

Auto Mode: En mode AUTO, l'appareil choisit automatiquement la vitesse du ventilateur et le mode de fonctionnement (COOL, DRY ou FAN). Dans ce mode, la vitesse du ventilateur et la température sont réglées automatiquement en fonction de la température ambiante (testé par le capteur de température incorporé L'unité intérieure).

5. **Timer Button:** Utiliser ces boutons sur le panneau de commande et la télécommande pour régler la minuterie.

Timer Off: l'arrêt programmé est programmé en appuyant sur le bouton TIMER. Réglez le temps de repos en appuyant sur la touche " ^ " ou " v " jusqu'à ce que l'heure de repos affichée correspond à votre demande, puis appuyez de nouveau sur le bouton TIMER.

Timer On: Lorsque l'appareil est éteint, appuyer la touche TIMER pour la première fois, réglez la température en appuyant sur la touche " ^ " ou " v ". Appuyer la touche TIMER à la deuxième heure, réglez la durée de repos en appuyant sur la touche " ^ " ou " v ". Appuyer la touche TIMER à la troisième fois, confirmez le réglage, puis la durée de repos à la prochaine mise en marche automatique peut être lue sur l'affichage de la machine.

Remarque: Il peut être configuré pour éteindre ou allumer automatiquement en 0.5 - 24 heures. Chaque pression sur les boutons " ^ " " v " augmente ou diminue la minuterie. La minuterie peut être réglée en 0,5 heure incrémentée en dessous de 10 heures et 1 heure d'incrément pendant 10 heures ou plus. Le voyant SET s'allume pendant le réglage. Pour annuler la fonction réglée, appuyez à nouveau sur la touche TIMER.

UTILISATION DE VOTRE CONDITIONNEUR D'AIR Panneau de commande électronique et télécommande

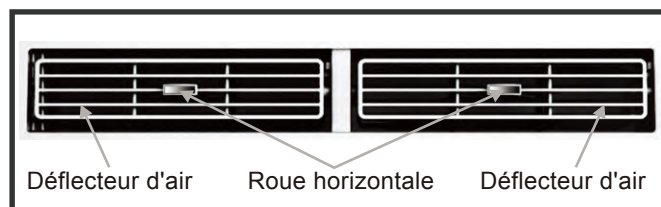
6. **Eco Button:** Lorsque l'appareil est en mode ECO, le voyant s'allume. En mode ECO, l'appareil s'éteint une fois que la pièce est refroidie à la température réglée par l'utilisateur. Le ventilateur sera également désactivé à ce stade. L'appareil se remet en route lorsque la température ambiante augmente au-dessus de la température réglée par l'utilisateur. Avant que le compresseur ne soit vedette, le moteur du ventilateur fonctionnera pendant un moment, puis il s'arrêtera pendant un certain temps et répétera pour offrir une sensation beaucoup plus confortable et économiser de l'énergie.

7. **Sleep Button:** Appuyer le bouton SLEEP, le Sleep Light s'allume après 10s et tous les voyants de gauche seront éteints. En mode SOMMEIL, le climatiseur ajustera automatiquement la température et la vitesse du ventilateur pour rendre la pièce plus confortable pendant la nuit. La température réglée augmentera automatiquement de 1 °C toutes les 30 - 60 minutes et au plus changera six fois jusqu'à ce que la température réglée soit de 28 °C. Et chaque temps de fonctionnement dépend de la température réglée.

8. **Fan Speed Button:** Appuyer le bouton FAN SPEED pour choisir les options de vitesse du ventilateur. Vous pouvez choisir Hi, Med, Lo ou la vitesse automatique en mode COOL et choisir Hi, Med, Lo en mode FAN.

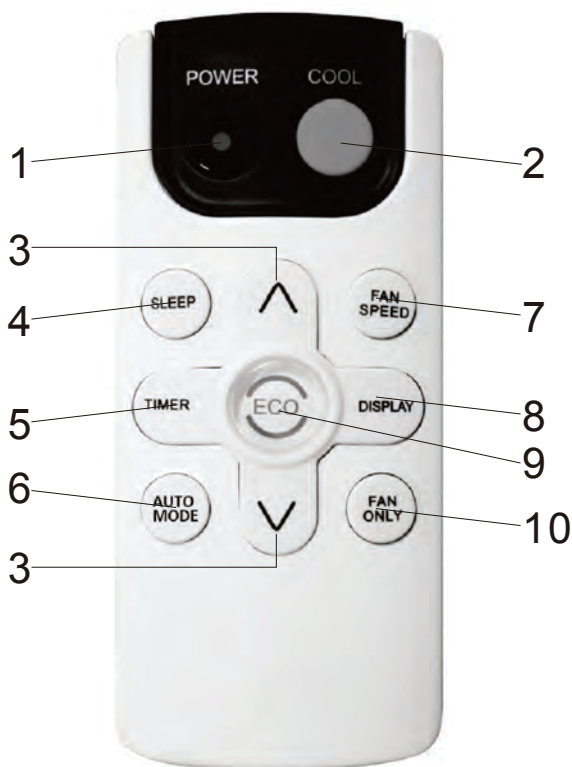
9. **Filter Button:** Lorsque le voyant vérification du filtre est éteint, il est inutile d'appuyer sur le bouton Vérifier le filtre. Lorsque le témoin Vérificateur de filtre est allumé, il peut éteindre la lumière en appuyant sur le bouton Vérifier le filtre. Après que le moteur du ventilateur fonctionne pendant 500 heures totales, le témoin de vérification du filtre s'allume pour rappeler à l'utilisateur de nettoyer le filtre.

10. **Directional Louvers:** Pour diriger le flux d'air, roue horizontale pour contrôler la direction horizontale, déflecteur d'air pour contrôler la direction verticale.



FONCTIONNEMENT DE VOTRE CONDITIONNEUR D'AIR

TÉLÉCOMMANDE



1. **Power:** Allumer et éteindre le climatiseur.

2. **Cool:** Appuyer le bouton COOL en mode COOL.

3. **^ et v:** Utiliser ces boutons sur le panneau de commande et la télécommande pour augmenter ou réduire l'unité de la température réglée ou la minuterie.
Plage de température: 61°F - 88°F ou 16°C ~ 31°C.

4. **Sleep:** Appuyer le bouton SLEEP, le Sleep Light s'allume après 10s et tous les voyants de gauche seront éteints. En mode SOMMEIL, le climatiseur ajustera automatiquement la température et la vitesse du ventilateur pour rendre la pièce plus confortable pendant la nuit. La température réglée augmentera automatiquement de 1°C toutes les 30 - 60 minutes et au plus changera six fois jusqu'à ce que la température réglée soit de 28°C. Et chaque temps de fonctionnement dépend de la température réglée.

5. **Timer:** Utiliser ces boutons sur le panneau de commande et la télécommande pour régler la minuterie.

Timer Off: L'arrêt programmé est programmé en appuyant sur le bouton TIMER. Réglez le temps de repos en appuyant sur la touche "^" ou "v" jusqu'à ce que l'heure de repos affichée corresponde à votre demande, puis appuyez de nouveau sur le bouton TIMER.

Timer On: Lorsque l'appareil est éteint, appuyer la touche TIMER pour la première fois, régler la température en appuyant sur la touche "^" ou "v". Appuyer la touche TIMER à la deuxième heure, régler la durée de repos en appuyant sur la touche "^" ou "v". Appuyer la touche TIMER à la troisième fois, confirmez le réglage, puis la durée de repos à la prochaine mise en marche automatique peut être lue sur l'affichage de la machine.

Remarque: Il peut être configuré pour éteindre ou allumer automatiquement en 0.5 - 24 heures. Chaque pression sur les boutons "^" "v" augmente ou diminue la minuterie. La minuterie peut être réglée en 0.5 heure d'incrémentée en dessous de 10 heures et 1 heure d'incrémentée pendant 10 heures ou plus. Le voyant SET s'allume pendant le réglage. Pour annuler la fonction réglée, appuyez à nouveau sur la touche TIMER.

6. **Auto Mode:** En mode AUTO, l'appareil choisit automatiquement la vitesse du ventilateur et le mode de fonctionnement (COOL, DRY ou FAN). Dans ce mode, la vitesse du ventilateur et la température sont réglées automatiquement en fonction de la température ambiante (testé par le capteur de température incorporé intérieure).

7. **Fan Speed:** Appuyer le bouton FAN SPEED pour choisir les options de vitesse du ventilateur. Vous pouvez choisir Hi, Med, Lo ou la vitesse automatique en mode COOL et choisir Hi, Med, Lo en mode FAN.

8. **Display:** Pour appuyer sur le bouton DISPLAY, il peut éteindre/allumer toutes les lumières ou les LED.

9. **Eco:** Lorsque l'appareil est en mode ECO, le voyant s'allume. En mode ECO, l'appareil s'éteint une fois que la pièce est refroidie à la température réglée par l'utilisateur. Le ventilateur sera également désactivé à ce stade. L'appareil se remettra en marche lorsque la température de la pièce s'élèvera au-dessus de la température réglée par l'utilisateur. Avant que le compresseur n'éloigne, le moteur du ventilateur fonctionnera pendant un moment, puis s'arrêtera pendant un certain temps et répétera pour offrir une sensation beaucoup plus confortable et économiser de l'énergie.

10. **Fan Only:** Appuyer le bouton Fan Only pour le mode FAN ONLY.

Taille de la batterie: AAA - REMARQUE: Ne mélangez pas les batteries usées et nouvelles ou de différents types des batteries AAA.

ENTRETIEN ET NETTOYAGE

Nettoyer votre climatiseur pour garder le regard neuf et pour minimiser l'accumulation de poussière.

Nettoyage du filtre à air

Le filtre à air doit être vérifié au moins une fois par mois pour voir s'il faut nettoyer. Les particules piégées et la poussière peuvent s'accumuler dans le filtre et peuvent diminuer le débit d'air et provoquer l'accumulation de givre dans les bobines de refroidissement. Pour nettoyer le filtre à air:

1. Retirer le filtre en retirant les embouts de la porte du filtre à l'avant de l'appareil. (Voir la FIG.21).
2. Laver le filtre à l'aide de savon à vaisselle liquide et d'eau chaude. Rincer soigneusement le filtre. Agiter doucement le filtre pour enlever l'excès d'eau.
3. Laisser le filtre sécher complètement avant de le placer dans le climatiseur.
4. Si vous ne souhaitez pas laver le filtre, vous pouvez aspirer le filtre pour enlever la poussière et d'autres particules.

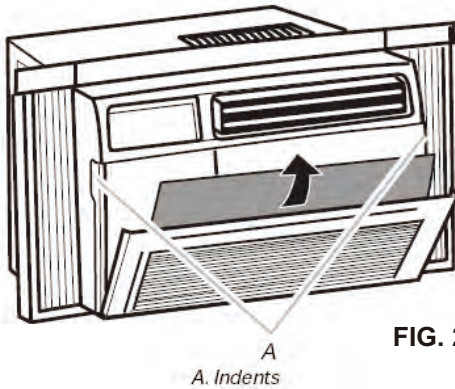


FIG. 21

Usure normale

Pour minimiser l'usure de l'air conditionné, attendez au moins 3 minutes avant de changer de mode. Cela aidera à empêcher le compresseur de surchauffer et le circuit de déclenchement.

Nettoyage du cabinet

Pour nettoyer l'armoire du climatiseur:

- Débrancher le climatiseur pour éviter tout risque de choc ou d'incendie. L'armoire et le panneau avant du climatiseur peuvent être dépoussiérés avec un chiffon exempt d'huile ou lavés avec un chiffon imbibé dans une solution d'eau chaude et d'un savon liquide doux. Rincer soigneusement avec un chiffon humide et essuyer.
- N'utilisez jamais de nettoyeurs agressifs, de cire ou de vernis sur le devant de l'armoire.
- Assurez-vous d'essuyer l'excès d'eau du chiffon avant de nettoyer les commandes. L'excès d'eau dans ou autour des commandes peut endommager le climatiseur.

Stockage d'hiver

Pour stocker le climatiseur lorsqu'il n'est pas utilisé pendant une période prolongée, retirez-le soigneusement de la fenêtre conformément aux instructions d'installation et recouvrez-le avec du plastique ou placez-le dans la boîte d'origine

DÉPANNAGE

PROBLEMA	POSIBLES CAUSAS	SOLUCIONES
Le climatiseur ne démarre pas	Le climatiseur est débranché.	<ul style="list-style-type: none"> Assurer que la fiche du climatiseur est enfoncée dans la prise de courant.
	Le fusible est soufflé / le disjoncteur est déclenché.	<ul style="list-style-type: none"> Vérifier le fusible de la maison / boîte de disjoncteur et remplacez le fusible ou réinitialisez le disjoncteur.
	Panne de puissance.	<ul style="list-style-type: none"> L'appareil redémarre automatiquement lorsque l'alimentation est rétablie. Il y a un délai de protection (environ 3 minutes) pour empêcher le déclenchement de la surcharge du compresseur. Pour cette raison, l'appareil peut ne pas démarrer le refroidissement normal pendant 3 minutes après son retour.
	L'interrupteur courant est déclenché.	<ul style="list-style-type: none"> Appuyer le bouton RESET situé sur la fiche du cordon d'alimentation. Si le bouton RESET ne reste pas engagé, arrêter l'utilisation du climatiseur et contacter un technicien qualifié.
Le climatiseur ne refroidit pas comme il se doit	Le flux d'air est limité.	<ul style="list-style-type: none"> Assurer qu'il n'y a pas de rideaux, de stores ou de meubles qui bloquent l'avant du climatiseur.
	Le contrôle de la température peut ne pas être réglé correctement.	<ul style="list-style-type: none"> Tourner la molette TEMP à un nombre plus élevé.
	Le filtre à air est sale.	<ul style="list-style-type: none"> Nettoyer le filtre. Consulter la section Nettoyage et entretien du manuel.
	La chambre peut être trop chaude.	<ul style="list-style-type: none"> Veillez à laisser refroidir la pièce après avoir allumé le climatiseur.
	L'air froid échappe.	<ul style="list-style-type: none"> Vérifier les registres de four ouvert et les retours d'air froid.
	Les bobines de refroidissement sont gelées.	<ul style="list-style-type: none"> Voir "Air Conditioner Freezing Up" ci-dessous.
L'air conditionné se gèle	La glace bloque le flux d'air et arrête le climatiseur de refroidir la pièce.	<ul style="list-style-type: none"> Régler la molette MODE sur HIGH FAN ou HIGH COOL et régler la molette TEMP sur 1 ou 2.
La télécommande ne fonctionne pas (si elle est incluse avec votre climatiseur)	<p>Les batteries sont insérées de manière incorrecte.</p> <p>Les batteries peuvent être mortes.</p>	<ul style="list-style-type: none"> Vérifier la position des batteries. Remplacer les batteries.

DÉPANNAGE (SUITE)

PROBLÈME	CAUSES POSSIBLES	SOLUTIONS
L'eau coule dehors	Météo chaude et humide.	• C'est normal.
L'eau coule dans la chambre	Le climatiseur n'est pas correctement incliné à l'extérieur.	• Pour un bon drainage de l'eau, assurez-vous que le climatiseur est légèrement incliné vers le bas de l'avant de l'appareil vers l'arrière.
L'eau se rassemble dans le moule de base	L'humidité retirée de l'air s'écoule dans le moule de base.	• Ceci est normal pour une courte période dans des zones à faible humidité et à une température normale pendant une période plus longue dans des zones à forte humidité.
L'affichage numérique lit "E1", "E2"	Un capteur a échoué	• Contacter le service clientèle.



Cette instruction a un autre format et vous pouvez obtenir sur le site
Web: <https://tclusa.com>