

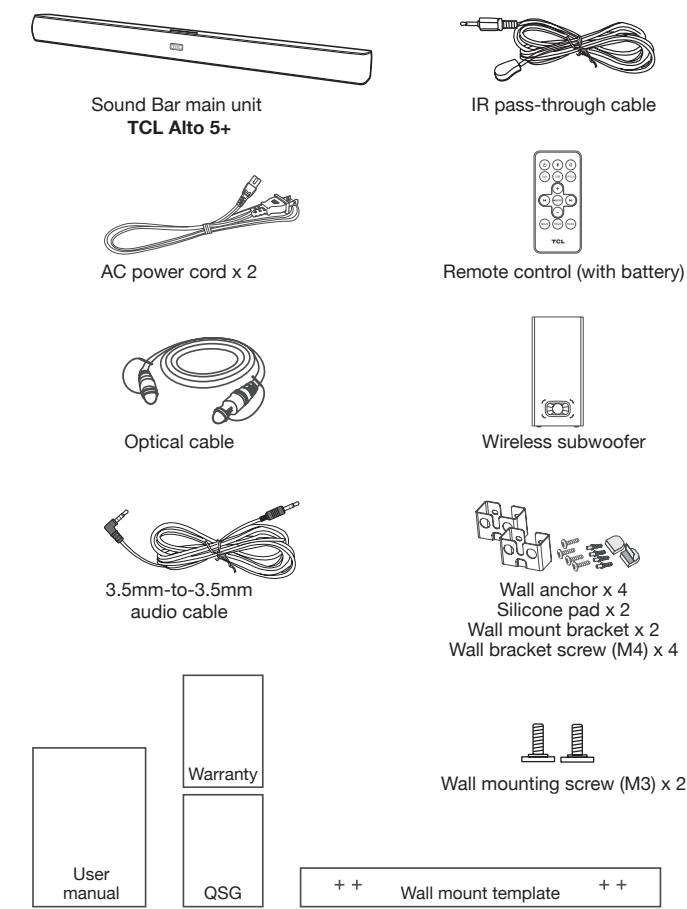
TCL

2.1 Channel Home Theater Sound Bar
Alto 5+

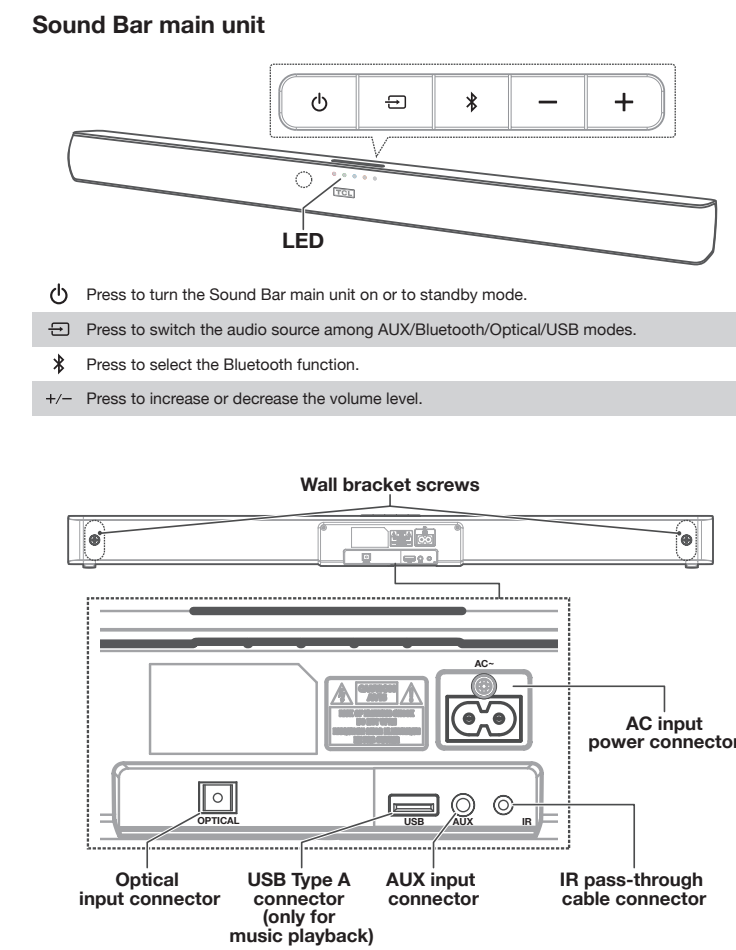


Quick start guide

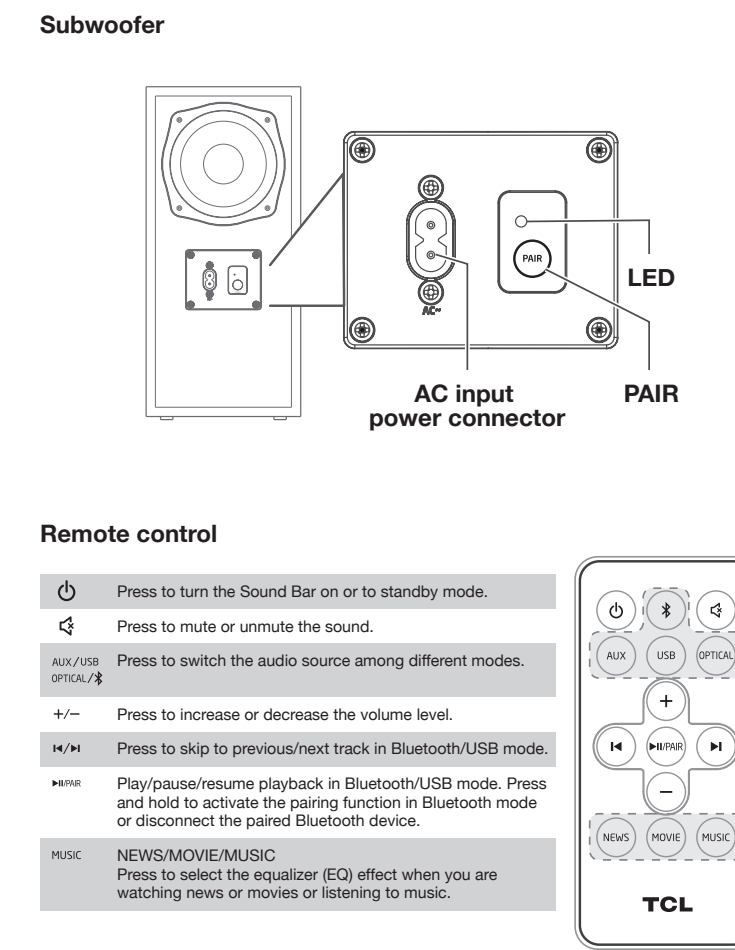
1. What's in the box



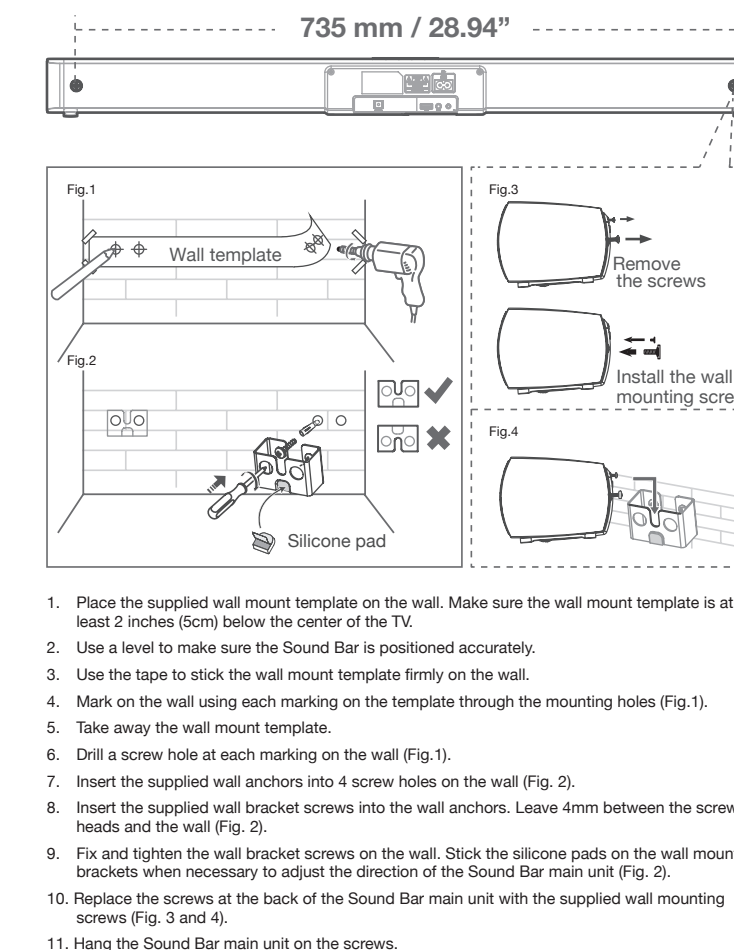
2a Overview



2b Overview



3. Wall mount



DO NOT RETURN TO STORE

WE ARE READY TO HELP contact us first with any questions

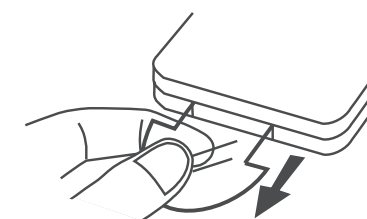
TCL SUPPORT:
www.tclusa.com/support or
www.tclcanada.com/support
1-877-300-9223

TAKE CARE WHEN REMOVING THE SOUNDBAR

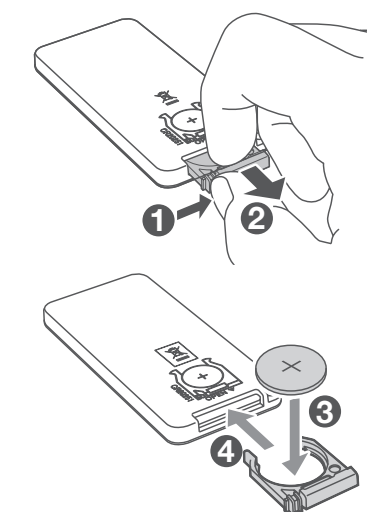
Copyright © 2019 TCL. All rights reserved.
TS6010_US_EN_QSG_V2.0

Bluetooth
DOLBY AUDIO

4a Activate the remote control

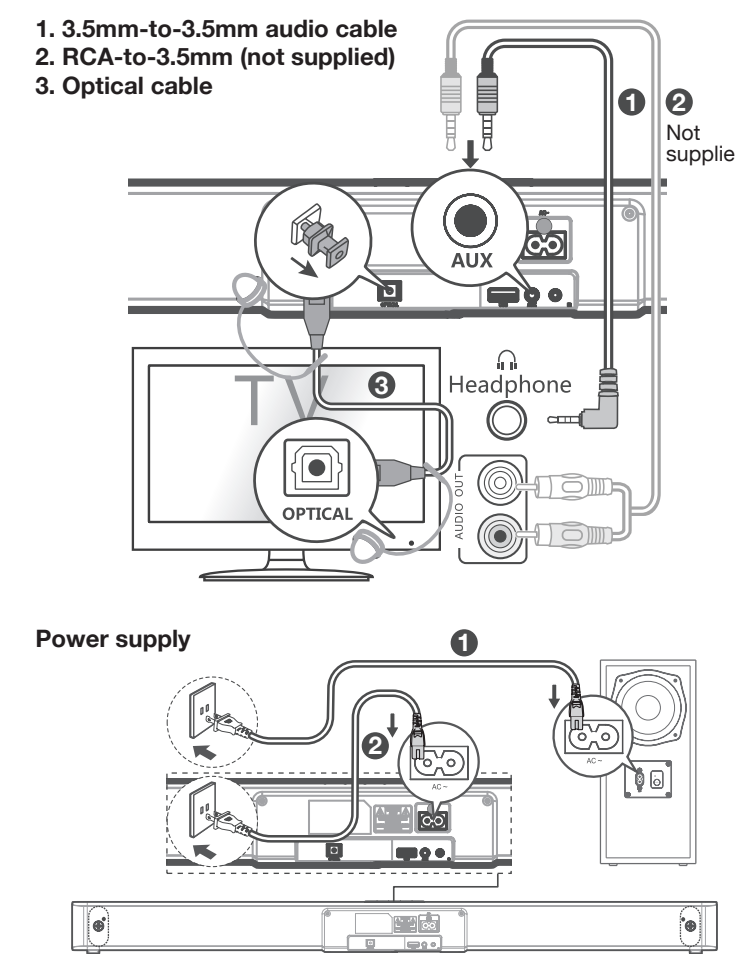


4b Replace the remote control battery

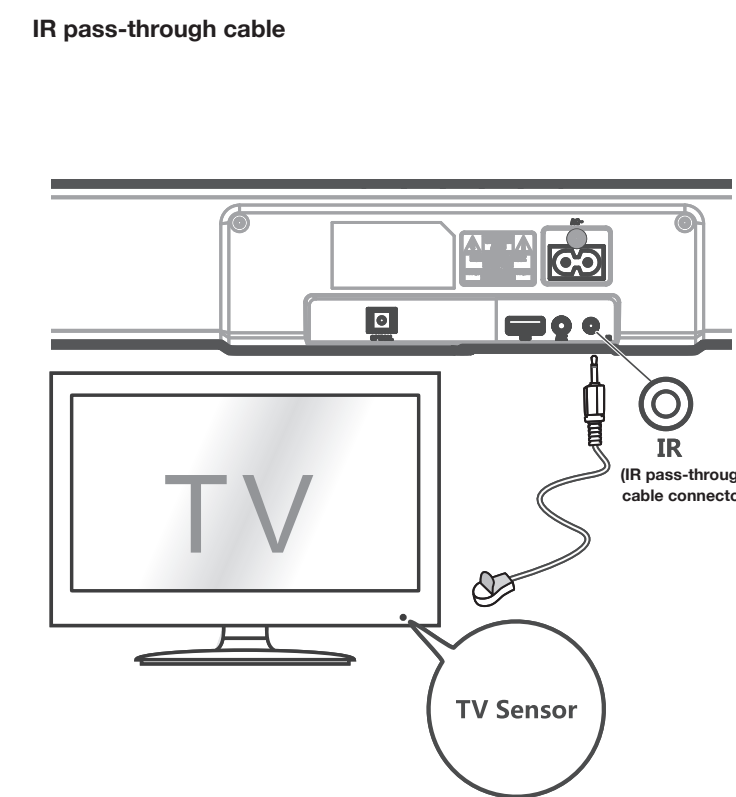


Battery type:
Lithium CR2025 battery (160 mAh) x 1

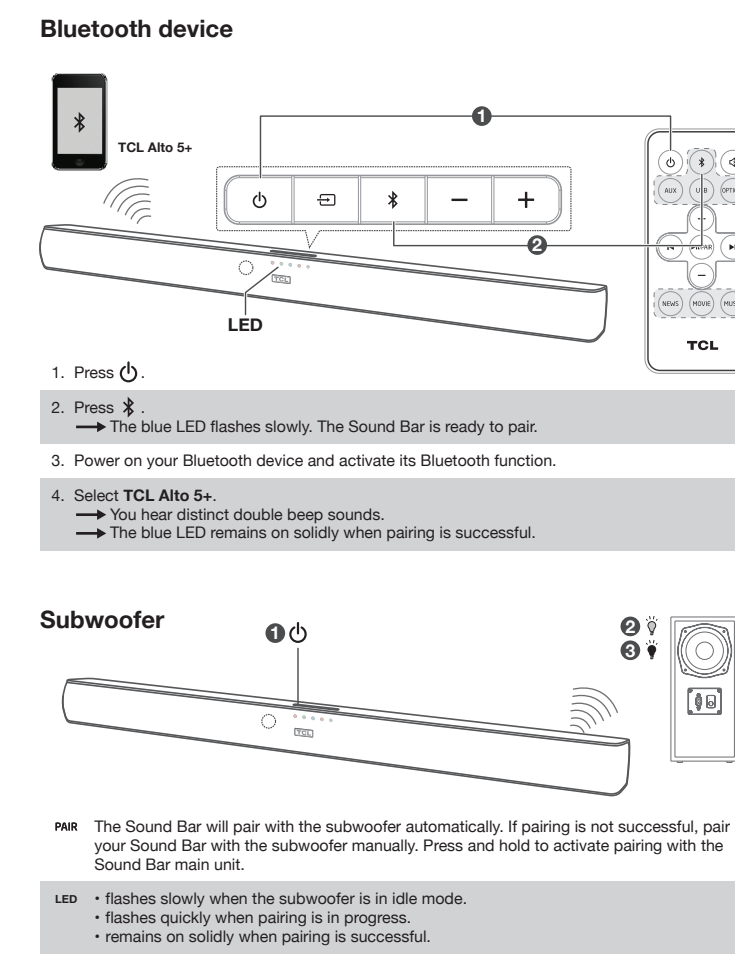
5a. Connect



5b. Connect



6. Pairing



7a. Use

LED behaviors under different source mode

Sound Bar status	LED indicators
in standby mode	The red LED is on solidly.
in AUX mode	The green LED is on solidly.
in Bluetooth mode ready to pair	The blue LED is on solidly. The blue LED flashes slowly.
pairing in progress	The blue LED flashes quickly.
in optical mode	The orange LED is on solidly.
in USB mode	The white LED is on solidly.

7b. Use

Remote sound functions

Operation	LED indicators
+/-	The white LED flashes quickly and goes back to the source LED.
⏪	The red LED keeps flashing.
⏩	The red LED flashes and goes back to the source LED.
NEWS	The white LED flashes once.
MUSIC	The green LED flashes once.
NEWS	The orange LED flashes once.

7c. Use

Use the USB device for music playback

Operation	LED indicators
Listen to music.	The white LED is on.
Press PAUSE to pause the music.	The white LED is on solidly.
Press ⏪ or ⏩ to skip to the previous/next track	The white LED is on solidly.